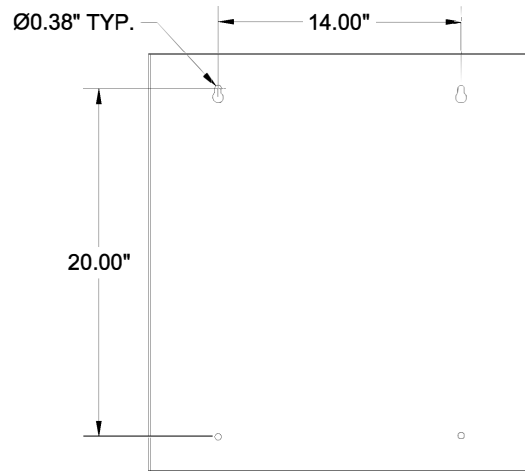
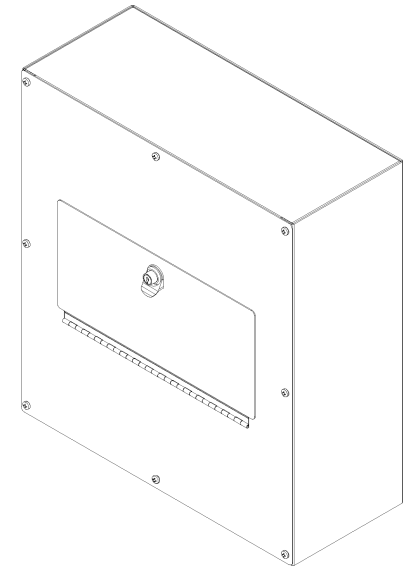
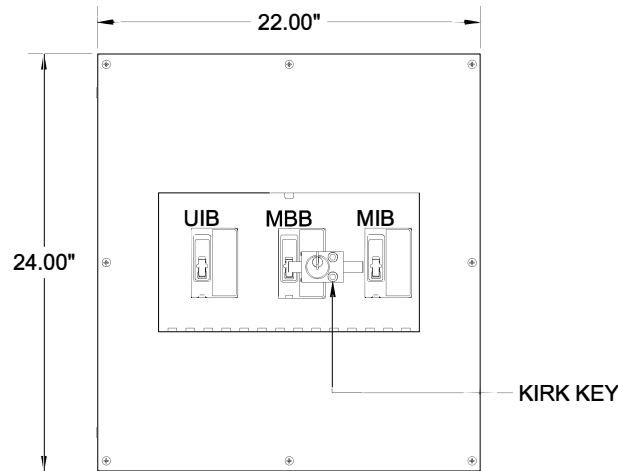


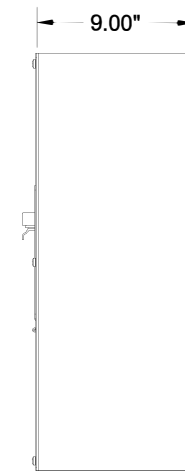
TOP VIEW



REAR VIEW



**FRONT VIEW
(DOOR REMOVED)**



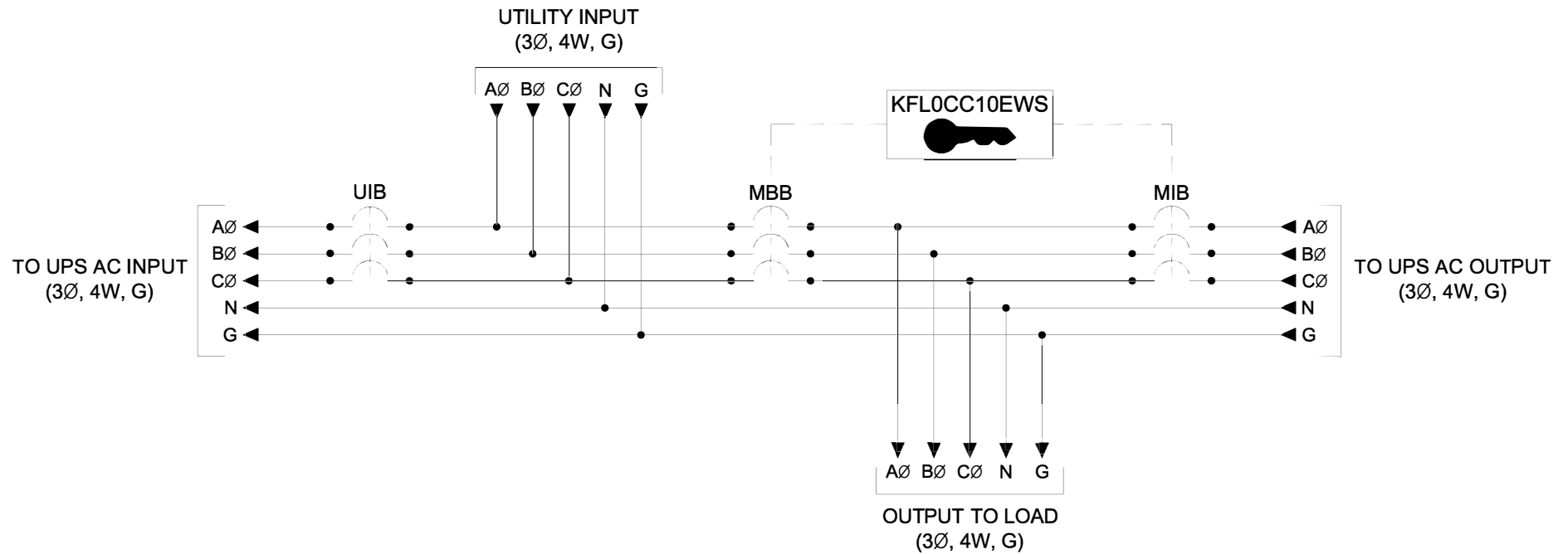
RIGHT SIDE VIEW

- NOTES:**
1. APPROXIMATE WEIGHT: 55 LBS
 2. ASSEMBLY IS UL/CUL LISTED TO UL 891 AND C22.2 NO. 244.
 3. NEMA 1 WALL MOUNT ENCLOSURE.
 4. THE BOX & TRIM ARE CONSTRUCTED OF GALVANIZED STEEL.
 5. THE TRIM FINISH IS POWDER COATED ON ALL EXTERNAL AND VISIBLE SURFACES, BOX AND ALL INTERNAL MOUNT BRACKETS ARE GALVANIZED FINISH.
 6. THE PANEL IS PROVIDED WITH A KEY LOCKING PUSH TO CLOSE LATCH ON THE ACCESS COVER.
 7. THE PANEL IS TO BE MOUNTED THROUGH THE Ø0.375" HOLES IN THE BACK OF THE ENCLOSURE.

90885 SERIES WALL MOUNT MAINTENANCE BYPASS PANEL			
15A-225A, 480Y/277V, 3Ø/4W/G, 3 BREAKER			
INTERLOCK CONFIGURATION 13			
THE INFORMATION CONTAINED IN THIS DRAWING IS THE SOLE PROPERTY OF C&C POWER, INC. ANY REPRODUCTION WITHOUT THE WRITTEN CONSENT OF C&C POWER, INC IS PROHIBITED.			
DIMENSIONS ARE IN INCHES		INITIALS	DATE
TOLERANCES:		DRAWN	PJC
DECIMALS:	ANGLES:	5/21/2013	
.XX ±.13	±1°	CHECKED	CH
.XXX ±.082		12/1/2015	
SCALE:	SIZE:	REV:	
NTS	A	2	
SHEET 1 OF 2			C&C POWER ENGINEERED POWER PRODUCTS WWW.CCPower.COM © 2015 C&C POWER, INC. ALL RIGHTS RESERVED

CIRCUIT BREAKER SUMMARY

BREAKER TYPE	BREAKER MODEL	TRIP	BREAKER AIC	PANEL AIC	WIRE RANGE
CUTLER HAMMER SERIES C	EHD3XXX	15-100A	14K @ 480VAC	10K @ 480VAC	(1) 14 - 1/0
	FDB3XXX	110-150A	14K @ 480VAC	10K @ 480VAC	(1) 4 - 4/0
	FD3XXX	175-225A	35K @ 480VAC	10K @ 480VAC	(1) 4 - 4/0



NOTES:

- "UIB" UPS INPUT BREAKER
- "MBB" MAINTENANCE BYPASS BREAKER
- "MIB" MAINTENANCE ISOLATION BREAKER
- 450A RATED NEUTRAL BUS PROVIDED WITH MECHANICAL LUGS THAT ACCEPT A TOTAL OF (4) #6 - 350 MCM CABLES.
- GROUND LUG ACCEPTS (3) #6 - 350 MCM CABLES.
- MECHANICAL LUGS USED FOR THE UTILITY INPUT & THE OUTPUT TO LOAD HAVE THE SAME WIRE RANGE AS THE CIRCUIT BREAKERS.
- THIS DRAWING IS TO BE USED FOR ELECTRICAL PURPOSES ONLY AND DOES NOT REPRESENT THE ACTUAL MECHANICAL LAYOUT OF THE EQUIPMENT.

90885 SERIES WALL MOUNT MAINTENANCE BYPASS PANEL			
15A-225A, 480Y/277V, 3Ø/4W/G, 3 BREAKER			
INTERLOCK CONFIGURATION 13			
THE INFORMATION CONTAINED IN THIS DRAWING IS THE SOLE PROPERTY OF C&C POWER, INC. ANY REPRODUCTION WITHOUT THE WRITTEN CONSENT OF C&C POWER, INC IS PROHIBITED.			
DIMENSIONS ARE IN INCHES	INITIALS	DATE	
TOLERANCES:	DRAWN PJC	5/21/2013	
DECIMALS: .XX ±.13	ANGLES: ±1"	CHECKED CH	12/4/2015
XXX ±.062			
SCALE: SIZE: A	REV: 2	SHEET 1 OF 2	
NTS		C&C POWER ENGINEERED POWER PRODUCTS WWW.CCPower.COM © 2015 C&C POWER, INC. ALL RIGHTS RESERVED	