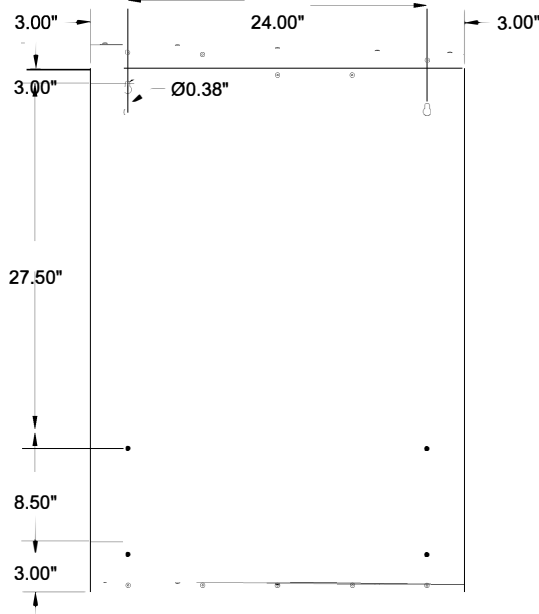
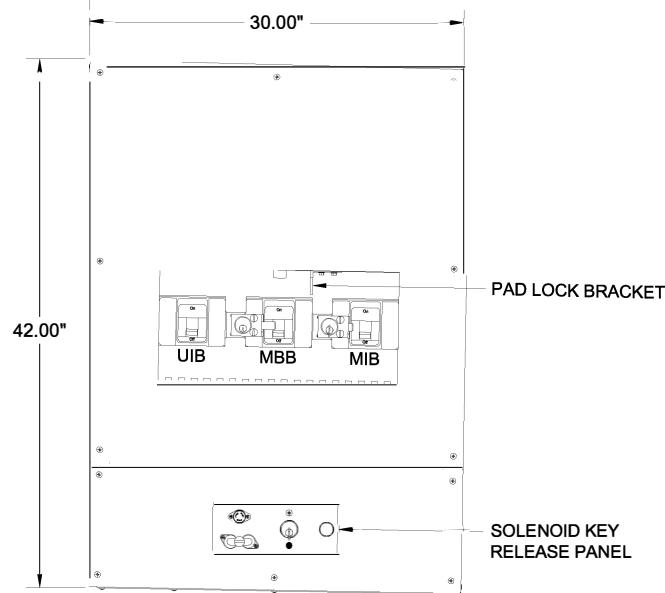


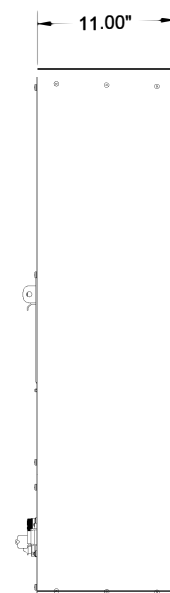
TOP VIEW



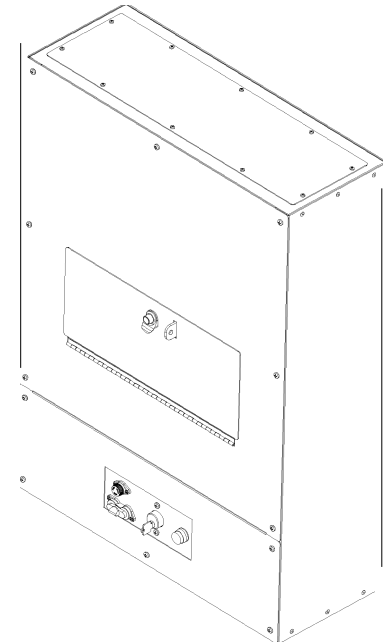
REAR VIEW



FRONT VIEW
(DOOR REMOVED)



RIGHT SIDE VIEW



NOTES:

1. APPROXIMATE WEIGHT: 130 LBS.
2. ASSEMBLY IS UL/CUL LISTED TO UL 891 AND C22.2 NO. 244.
3. NEMA 1 WALL MOUNT ENCLOSURE.
4. THE BOX & TRIM ARE CONSTRUCTED OF GALVANIZED STEEL.
5. THE TRIM FINISH IS POWDER COATED ON ALL EXTERNAL AND VISIBLE SURFACES, BOX AND ALL INTERNAL MOUNT BRACKETS ARE GALVANIZED FINISH
6. THE CABINET IS TO BE MOUNTED THROUGH THE Ø0.375" HOLES IN THE BACK OF THE ENCLOSURE.

90881 SERIES WALL MOUNT MAINTENANCE BYPASS PANEL
250A-400A, 480V, 3Ø 3W OR 4W, 3 BREAKER WITH SKRU

INTERLOCK CONFIGURATION 42

THE INFORMATION CONTAINED IN THIS DRAWING IS THE SOLE PROPERTY OF C&C POWER, INC. ANY REPRODUCTION WITHOUT THE WRITTEN CONSENT OF C&C POWER, INC IS PROHIBITED.

DIMENSIONS ARE IN INCHES		INITIALS	DATE
TOLERANCES:		DRAWN	CH
DECIMALS:	ANGLES:	CHECKED	CH
XX ± .13	± 1°		8/29/2018
XXX ± .062			
SCALE:	SIZE:	REV:	
NTS	A	1	

C&C POWER

ENGINEERED POWER PRODUCTS
WWW.CCPOWER.COM

© 2018 C&C POWER, INC.
ALL RIGHTS RESERVED

