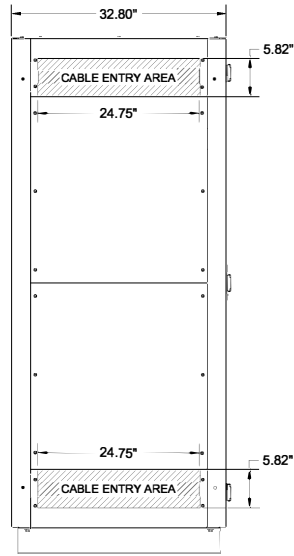
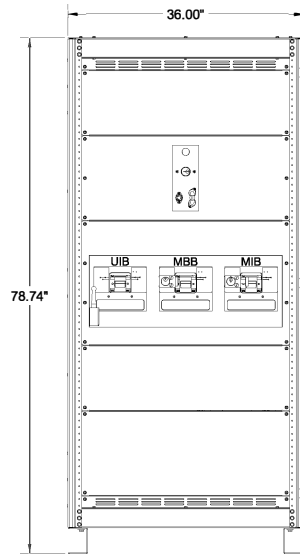


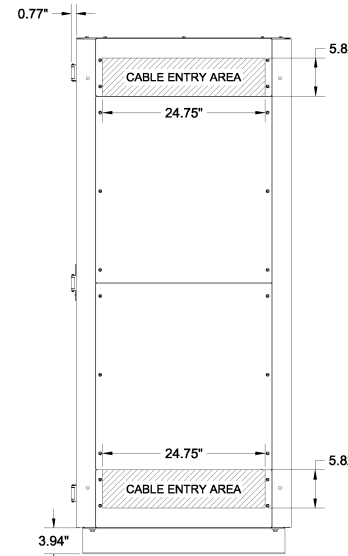
TOP VIEW



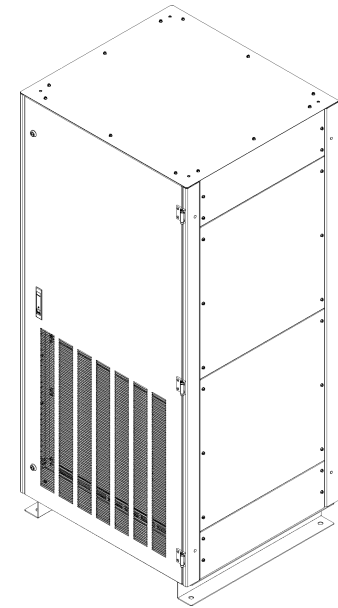
LEFT SIDE VIEW



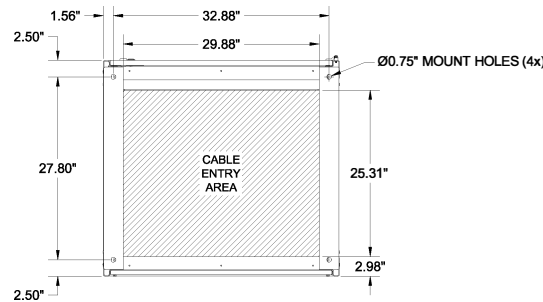
FRONT VIEW  
(DOOR REMOVED)



RIGHT SIDE VIEW



ISOMETRIC VIEW



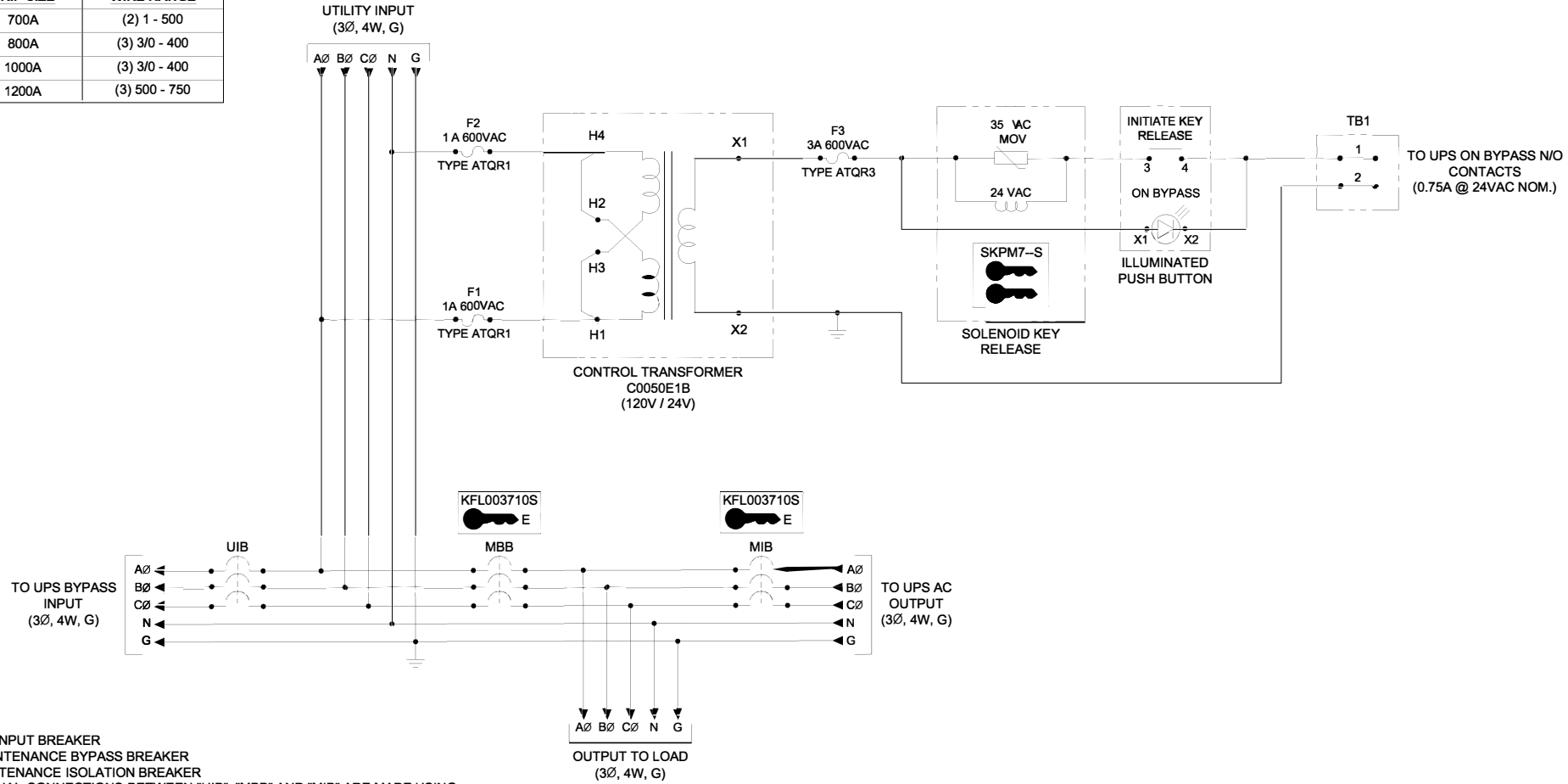
BOTTOM VIEW

- NOTES:
1. APPROXIMATE WEIGHT: 775 LBS.
  2. ASSEMBLY IS UL/CUL LISTED TO UL 891 AND C22.2 NO. 244.
  3. NEMA 1 TYPE ENCLOSURE
  4. THE CABINET IS CONSTRUCTED FROM GALVANIZED STEEL.
  5. THE CABINET IS TO BE MOUNTED THROUGH THE 0.750" HOLES IN THE CABINET LEGS. THE LEGS ARE FORMED FROM 10 GAUGE STEEL.
  6. FINISH IS POWDER COAT ON ALL EXTERNAL AND VISIBLE SURFACES. INTERIOR PANELS AND MOUNT BRACKETS ARE GALVANIZED FINISH.
  7. CABINET LEGS ARE REVERSIBLE FOR EASY ACCESS TO CABINET FLOOR MOUNTING HARDWARE.

|   |             |   |          |
|---|-------------|---|----------|
| <b>90826 SERIES MAINTENANCE BYPASS BREAKER CABINET</b>  |             |   |          |
| <b>700A-1200A, 208Y/120V, 3Ø/4W, 3 BREAKER WITH SKRU</b>  |             |   |          |
| <b>INTERLOCK CONFIGURATION 44</b>   |             |   |          |
| THE INFORMATION CONTAINED IN THIS DRAWING IS THE SOLE PROPERTY OF C&C POWER, INC. ANY REPRODUCTION WITHOUT THE WRITTEN CONSENT OF C&C POWER, INC IS PROHIBITED. |             |   |          |
| DIMENSIONS ARE IN INCHES  | INITIALS    | DATE  |          |
| TOLERANCES:   | DRAWN CH    | 2/5/2019  |          |
| DECIMALS: .001  | ANGLES: ±1° | CHECKED CH  | 2/5/2019 |
| JXX ±.13  |             |   |          |
| XXX ±.062   |             |   |          |
| SCALE: SIZE: A  | REV: 1      | SHEET 1 OF 2  |          |
|   |             | <b>C&amp;C POWER</b><br>ENGINEERED POWER PRODUCTS<br>WWW.CCPower.COM<br>© 2019 C&C POWER, INC.<br>ALL RIGHTS RESERVED |          |

| CIRCUIT BREAKER OPTIONS   |   |     |
|---------------------------|---|-----|
| TRIP SIZE                 | TRIP TYPE                                   | AIC |
| 700A                      | TMAG (80%)                                  | 65K |
| 800A                      | TMAG (80%)                                  | 65K |
| 320-800A<br>(ADJUSTABLE)  | LS, LSI, LSIG, ALSI, ALSIG<br>(80% OR 100%) | 65K |
| 500-1200A<br>(ADJUSTABLE) | LS, LSI, LSIG, ALSI, ALSIG<br>(80% OR 100%) | 65K |

| CIRCUIT BREAKER TERMINAL INFO |               |
|-------------------------------|---------------|
| TRIP SIZE                     | WIRE RANGE    |
| 700A                          | (2) 1 - 500   |
| 800A                          | (3) 3/0 - 400 |
| 1000A                         | (3) 3/0 - 400 |
| 1200A                         | (3) 500 - 750 |



- NOTES:
- "UIB" UPS INPUT BREAKER
  - "MBB" MAINTENANCE BYPASS BREAKER
  - "MIB" MAINTENANCE ISOLATION BREAKER
  - ALL INTERNAL CONNECTIONS BETWEEN "UIB", "MBB" AND "MIB" ARE MADE USING COPPER BUS BARS
  - OPTIONAL 2500A RATED NEUTRAL BUS PROVIDED WITH MECHANICAL LUGS THAT ACCEPT A TOTAL OF (20) 1/0 - 750 MCM CABLES.
  - OPTIONAL 1500A RATED NEUTRAL BUS PROVIDED WITH MECHANICAL LUGS THAT ACCEPT A TOTAL OF (12) #2 - 600 MCM CABLES.
  - GROUND LUG ACCEPTS (4) #6 - 250 MCM CABLES.
  - MECHANICAL LUGS USED FOR THE UTILITY INPUT & THE OUTPUT LOAD HAVE THE SAME WIRE RANGE AS THE CIRCUIT BREAKERS.
  - VOLTAGE BETWEEN THE AØ AND NEUTRAL MUST BE 120V±10% FOR THE SKRU CIRCUIT TO FUNCTION PROPERLY.
  - THIS DRAWING IS TO BE USED FOR ELECTRICAL PURPOSES ONLY AND DOES NOT REPRESENT THE ACTUAL MECHANICAL LAYOUT OF THE EQUIPMENT.

- KIRK KEY NOTES:
- THE "E" OR "W" NEXT TO THE INTERLOCK INDICATES THE POSITION OF THE INTERLOCK BOLT WHEN THE KEY IS REMOVABLE. "E" = EXTENDED AND "W" = WITHDRAWN.
  - THE KEY OR KEYS NEXT TO THE INTERLOCK INDICATES THE KEY NUMBER THAT FUNCTIONS WITH THE INTERLOCK.

|   |             |  |  |
|---|-------------|--|--|
| 90826 SERIES MAINTENANCE BYPASS BREAKER CABINET   |             |  |  |
| 700A-1200A, 208Y/120V, 3Ø/4W, 3 BREAKER WITH SKRU   |             |  |  |
| INTERLOCK CONFIGURATION 44  |             |  |  |
| THE INFORMATION CONTAINED IN THIS DRAWING IS THE SOLE PROPERTY OF C&C POWER, INC. ANY REPRODUCTION WITHOUT THE WRITTEN CONSENT OF C&C POWER, INC IS PROHIBITED. |             |  |  |
| DIMENSIONS ARE IN INCHES  | INITIALS    | DATE                                       |  |
| TOLERANCES:   | DRAWN CH    | 2/5/2019                                   |  |
| DECIMALS: .XX ±.13  | ANGLES: ±1" | CHECKED CH                                 |  |
| .XXX ±.082  |             | 2/5/2019                                   |  |
| SCALE: SIZE: A  | REV: 1      | SHEET 2 OF 2                               |  |
| NTS   |             | © 2019 C&C POWER, INC. ALL RIGHTS RESERVED |  |

**C&C POWER**  
 ENGINEERED POWER PRODUCTS  
 WWW.CCPower.COM  
 © 2019 C&C POWER, INC.  
 ALL RIGHTS RESERVED

DRAWING #: 908-28-cv44-9501-2 REV1