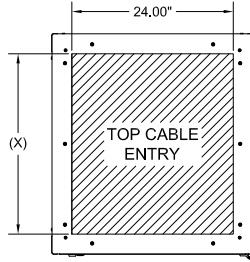


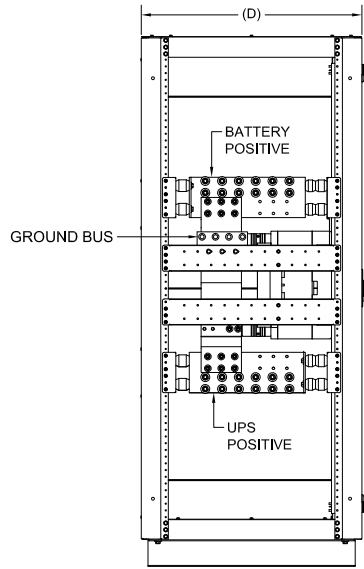
TYPICAL BREAKER WIRING



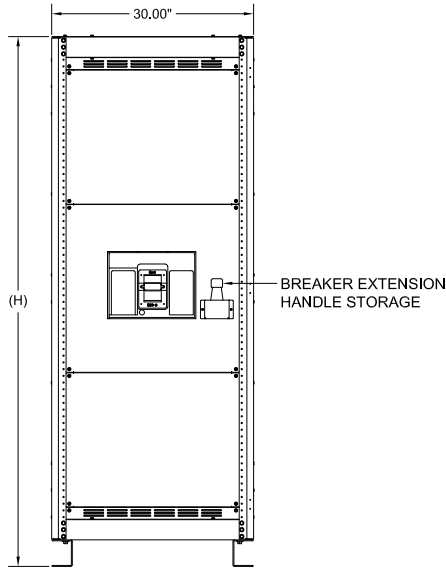
TOP VIEW

BLC-C30 SERIES MODELS						
MODEL	DEPTH (D)	HEIGHT (H)	(X)	(Y)	(Z)	WEIGHT
BLC-C30A787	32.80"	78.70"	26.80"	27.80"	25.31"	665 LBS.
BLC-C30B787	29.50"	78.70"	23.50"	24.50"	22.00"	645 LBS.
BLC-C30A820	32.80"	82.00"	26.80"	27.80"	25.31"	680 LBS.
BLC-C30A840	32.80"	84.00"	26.80"	27.80"	25.31"	685 LBS.

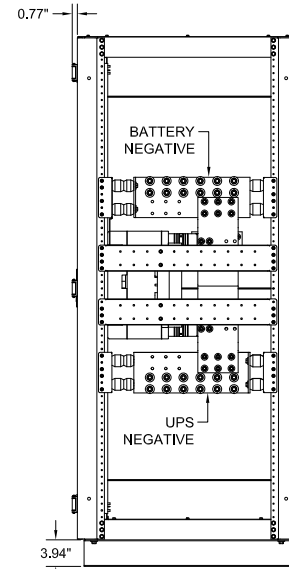
CIRCUIT BREAKER SUMMARY			
BREAKER TYPE	BREAKER MODEL	TRIP	AIC
EATON SERIES G	RGHDC	1600-3000A	65K @ 600VDC



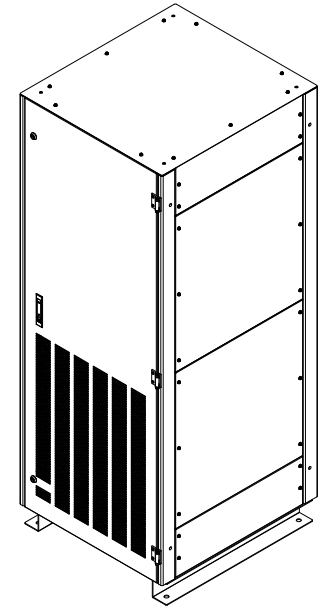
LEFT SIDE VIEW
(COVERS REMOVED)



FRONT VIEW
(DOOR REMOVED)



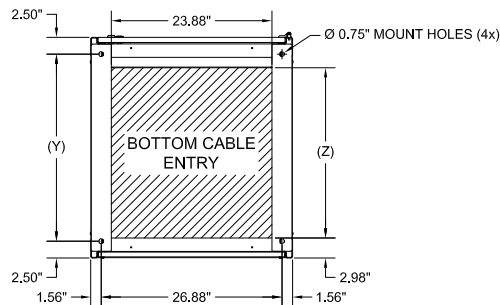
RIGHT SIDE VIEW
(COVERS REMOVED)



ISOMETRIC VIEW

NOTES:

- ASSEMBLY IS UL/CUL LISTED TO UL 891 AND C22.2 NO. 244.
- NEMA 1 TYPE ENCLOSURE.
- THE CABINET IS CONSTRUCTED FROM GALVANIZED STEEL.
- THE CABINET IS TO BE MOUNTED THROUGH THE 0.750" HOLES IN THE CABINET LEGS. THE LEGS ARE FORMED FROM 10 GAUGE STEEL.
- FINISH IS POWDER COAT ON ALL EXTERNAL AND VISIBLE SURFACES, INTERIOR PANELS AND MOUNT BRACKETS ARE GALVANIZED FINISH.
- CABINET LEGS ARE REVERSIBLE FOR EASY ACCESS TO CABINET FLOOR MOUNTING HARDWARE.
- REMOVABLE TOP AND BOTTOM COVERS ALLOW FOR EASY CONDUIT KNOCKOUT INSTALLATION.
- BUS BARS ARE PROVIDED WITH (6) TWO HOLE LANDINGS PER BUS ON 1-3/4" CENTERS TO ACCEPT Ø1/2" BOLTS. WILL ACCEPT LUGS WITH MAXIMUM TANG WIDTH OF 2-1/2".
- GROUND BUS IS PROVIDED WITH (4) SINGLE HOLE LANDINGS TO ACCEPT Ø3/8" BOLTS. WILL ACCEPT LUGS WITH MAXIMUM TANG WIDTH OF 2".
- ALL LANDINGS ARE CAPABLE OF ACCEPTING UP TO (2) LUGS IN BACK TO BACK CONFIGURATION.
- BREAKER ACCESSORY TERMINAL BLOCK IS UL RECOGNIZED, 600V RATED.



BOTTOM VIEW

BLC-C30 SERIES DC BREAKER LANDING CABINET			
1600-3000A 600VDC MAX			
THE INFORMATION CONTAINED IN THIS DRAWING IS THE SOLE PROPERTY OF C&C POWER, INC. ANY REPRODUCTION WITHOUT THE WRITTEN CONSENT OF C&C POWER, INC IS PROHIBITED.			
DIMENSIONS ARE IN INCHES		INITIALS	DATE
TOLERANCES:		DRAWN CH	7/1/2019
DECIMALS: .XX ±.13	ANGLES: ±1°	CHECKED CH	7/1/2019
XXX ±.082			
SCALE: NTS	SER: A	REV: 1	SHEET 1 OF 1

C&C POWER
ENGINEERED POWER PRODUCTS
WWW.CCPower.COM
© 2019 C&C POWER, INC.
ALL RIGHTS RESERVED

DRAWING # BLC-C30-3000A-SD01-1 REV 1