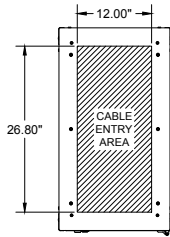
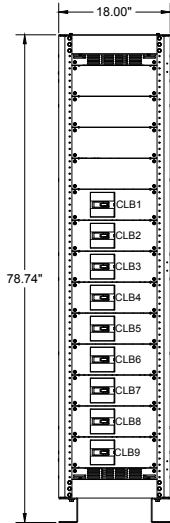


F-FRAME CIRCUIT BREAKER OPTIONS 208V OR 240V		
TRIP SIZE	TRIP TYPE	AIC @ 240V
15-100A	TMAG (80%)	18K OR 65K
110-225A	TMAG (80%)	22K OR 65K
40-100A (ADJUSTABLE)	LI OR LSI (80% 210+)	65K
70-150A (ADJUSTABLE)	LI OR LSI (80% 210+)	65K
100-225A (ADJUSTABLE)	LI OR LSI (80% 210+)	65K
15-80A (ADJUSTABLE)	LS, LSI, LSG, LSIG (80% 310+)	65K
60-160A (ADJUSTABLE)	LS, LSI, LSG, LSIG (80% 310+)	65K
100-225A (ADJUSTABLE)	LS, LSI, LSG, LSIG (80% 310+)	65K

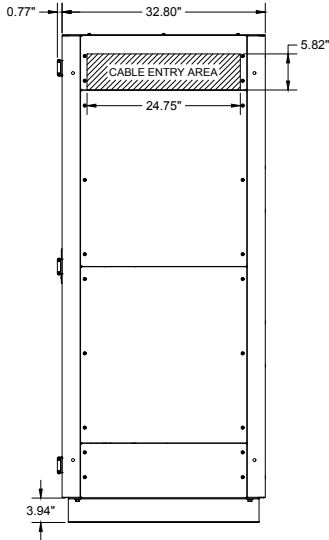


TOP VIEW

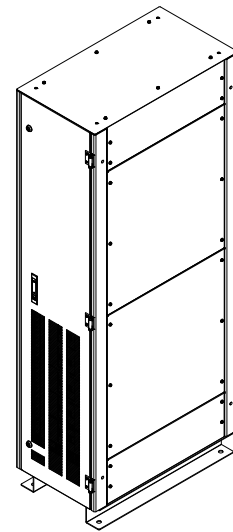
F-FRAME CIRCUIT BREAKER OPTIONS 480V		
TRIP SIZE	TRIP TYPE	AIC @ 480
15-150A	TMAG (80%)	14K OR 65K
175-225A	TMAG (80%)	35K OR 65K
40-100A (ADJUSTABLE)	LI OR LSI (80% 210+)	35K OR 65K
70-150A (ADJUSTABLE)	LI OR LSI (80% 210+)	35K OR 65K
100-225A (ADJUSTABLE)	LI OR LSI (80% 210+)	35K OR 65K
15-80A (ADJUSTABLE)	LS, LSI, LSG, LSIG (80% 310+)	35K OR 65K
60-160A (ADJUSTABLE)	LS, LSI, LSG, LSIG (80% 310+)	35K OR 65K
100-225A (ADJUSTABLE)	LS, LSI, LSG, LSIG (80% 310+)	35K OR 65K



FRONT VIEW (DOOR REMOVED)



RIGHT SIDE VIEW (CABLE ENTRY TYP. BOTH SIDES)



ISOMETRIC VIEW

F-FRAME CIRCUIT BREAKER TERMINAL INFO

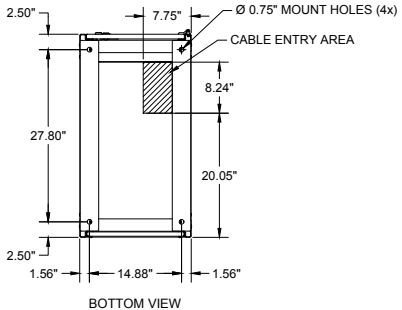
TRIP SIZE	WIRE RANGE
15-100A	(1) 14 - 1/0
110-225A	(1) 4 - 4/0

JG-FRAME CIRCUIT BREAKER OPTIONS 208V OR 240V		
TRIP SIZE	TRIP TYPE	AIC @ 240V
70-250A	TMAG (80%)	65K
20-50A (ADJUSTABLE)	LS, LSI, LSG, LSIG (80% OR 100%)	65K
40-100A (ADJUSTABLE)	LS, LSI, LSG, LSIG (80% OR 100%)	65K
63-160A (ADJUSTABLE)	LS, LSI, LSG, LSIG (80% OR 100%)	65K
100-250A (ADJUSTABLE)	LS, LSI, LSG, LSIG (80% OR 100%)	65K

JG-FRAME CIRCUIT BREAKER OPTIONS 480V		
TRIP SIZE	TRIP TYPE	AIC @ 480V
70-250A	TMAG (80%)	25K, 35K, OR 65K
20-50A (ADJUSTABLE)	LS, LSI, LSG, LSIG (80% OR 100%)	25K, 35K, OR 65K
40-100A (ADJUSTABLE)	LS, LSI, LSG, LSIG (80% OR 100%)	25K, 35K, OR 65K
63-160A (ADJUSTABLE)	LS, LSI, LSG, LSIG (80% OR 100%)	25K, 35K, OR 65K
100-250A (ADJUSTABLE)	LS, LSI, LSG, LSIG (80% OR 100%)	25K, 35K, OR 65K

JG-FRAME CIRCUIT BREAKER TERMINAL INFO

TRIP SIZE	WIRE RANGE
20-250A	(1) 8 - 350



BOTTOM VIEW

- NOTES:
- CABINET WEIGHT (NO BREAKERS): 340 LBS. BREAKER WEIGHT (PER BREAKER): 14 LBS.
 - ASSEMBLY IS UL/CUL LISTED TO UL 891 AND C22.2 NO. 244.
 - NEMA 1 TYPE ENCLOSURE.
 - THE CABINET IS CONSTRUCTED FROM GALVANIZED STEEL.
 - THE CABINET IS TO BE MOUNTED THROUGH THE 0.750" HOLES IN THE CABINET LEGS. THE LEGS ARE FORMED FROM 10 GAUGE STEEL.
 - FINISH IS POWDER COAT ON ALL EXTERNAL AND VISIBLE SURFACES. INTERIOR PANELS AND MOUNT BRACKETS ARE GALVANIZED FINISH.
 - THE DISTRIBUTION CABINET CAN BE CONFIGURED WITH 1-9 BREAKERS RANGING FROM 15-250A PER BREAKER WITH A TOTAL SYSTEM CAPACITY OF 800A.
 - OPTIONAL 1875A RATED NEUTRAL BUS PROVIDED WITH MECHANICAL LUGS THAT ACCEPT A TOTAL OF (6) #2 - 600 MCM CABLES, (12) #6 - 300 MCM CABLES & (7) #14 - #4 AWG CABLES.
 - GROUND LUGS ACCEPT (1) #6 - 250 MCM CABLE PER CABINET & (1) #14 - #4 AWG CABLE PER BREAKER.

90890 SERIES AC DISTRIBUTION		INITIALS		DATE	
208V/240V/480V 3Ø 3W OR 4W		DRAWN CH		2/18/2019	
800A MAIN BUS WITH UP TO 9 BREAKERS		CHECKED CH		2/18/2019	
THE INFORMATION CONTAINED IN THIS DRAWING IS THE SOLE PROPERTY OF C&C POWER, INC. ANY REPRODUCTION WITHOUT THE WRITTEN CONSENT OF C&C POWER, INC IS PROHIBITED.					
DIMENSIONS ARE IN INCHES		TOLERANCES:			
DECIMALS: .XX ± .13		ANGLES: ± 1°			
XXX ± .082					
SCALE: SIZE: A		REV: 1		SHEET 1 OF 1	
		 ENGINEERED POWER PRODUCTS WWW.CCPOWER.COM © 2019 C&C POWER, INC. ALL RIGHTS RESERVED			

DRAWING #: 90890-9-SD01.1, REV 1