

MORE POWER - LESS SPACE®



unigy I

12AVR100ET

- Exclusive IPF® technology optimizes power capacity, cell consistency, and long-term reliability
- Advanced AGM technology for superior power
- Puncture resistant micro-porous glass mat separators extend life
- Front access design for easy installation and maintenance
- Reinforced case resists bulging and meets safety requirements (UL 94 V-0)
- Case & cover heat sealed and 100% tested to prevent leaks
- Epoxy-sealed posts eliminate leaks
- Flame arresting, low pressure, self-sealing valves are 100% factory tested
- Computer-aided design and manufacturing control processes and standards to ensure quality products
- All batteries meet or exceed IEEE recommended practices
- Battery design and construction meet UL recognition requirements
- Plate thickness optimized for long life
- Guaranteed 100% initial string capacity when tested in accordance with IEEE 1188
- Designed to meet GR4228 specifications
- 48 volt system fits in 19" relay rack tray



SPECIFICATIONS

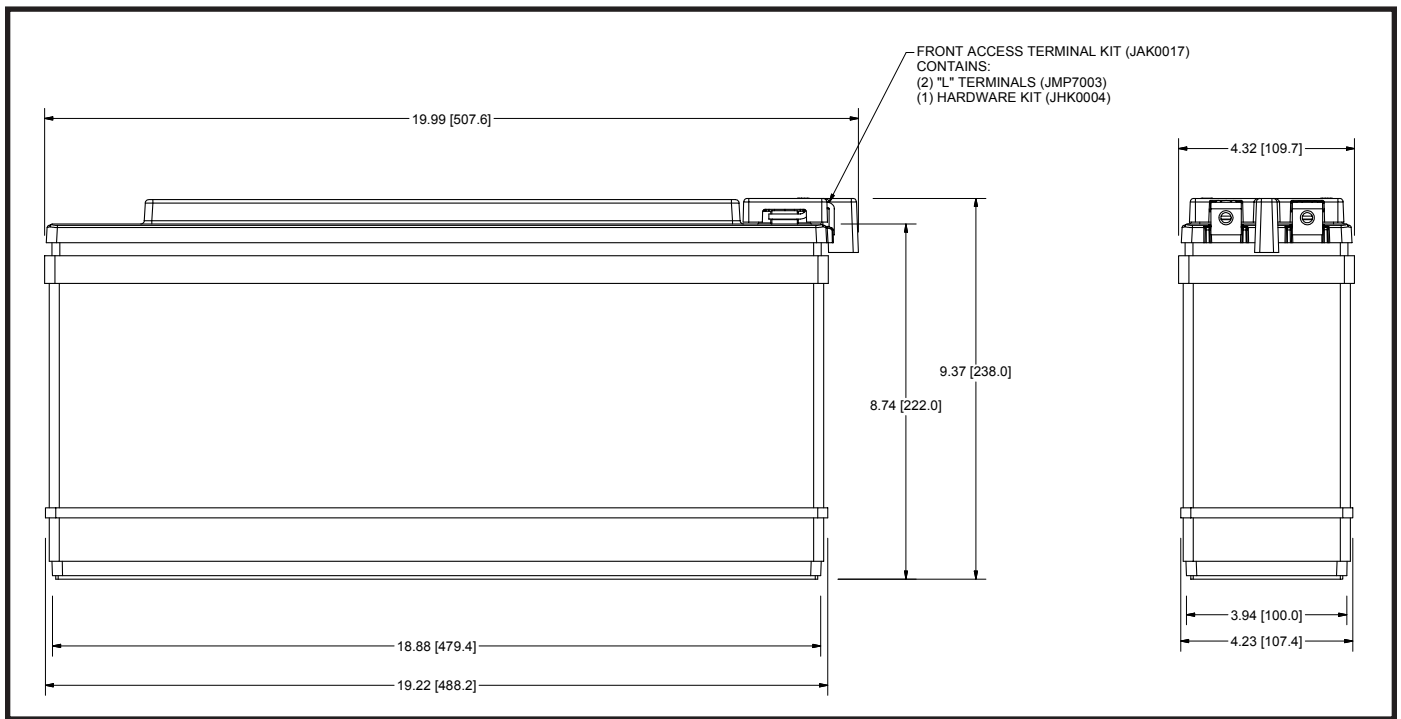
Nominal Voltage: 12-Volts
Rating: 96 Ampere-Hours @ 8 hr. rate to 1.75 V.P.C.
Positive Plate: >98% Pure lead with tin-calcium alloy
Negative Plate: Pure lead, calcium alloy
Post Seal: Epoxy-sealed
Terminal: Front access, 1/4" – 20 threaded insert
Case/Cover: Flame-retardant, polypropylene – UL 94 V-0/>28% L.O.I.

Safety Vent: Low positive pressure, self-sealing w/ flame arrestor
Float Voltage: 2.27 V.P.C. ± 0.01 V.P.C. @ 77°F (25°C)
 Range: (13.56V to 13.68V per battery)
Design life: 10 years in float applications @ 77°F (25°C)
Dimensions: Length - 19.99" (507.6 mm)
 Width - 4.32" (109.7 mm)
 Height - 9.37" (238.0 mm)
Weight: 69 lbs. (31 kg)

DISCHARGE RATINGS IN AMPS @ 77°F (25°C)†

Volts per Cell (V.P.C.)	1 HR.	2 HR.	3 HR.	4 HR.	5 HR.	8 HR.	12 HR.	20 HR.	24 HR.
1.75	63.3	38.0	27.0	21.2	17.6	12.0	8.5	5.4	4.6
1.80	62.5	37.6	26.8	21.0	17.4	11.9	8.4	5.4	4.5
1.85	60.8	36.7	26.2	20.6	17.1	11.7	8.3	5.2	4.4
1.88	58.8	35.6	25.5	20.1	16.7	11.4	8.1	5.1	4.3
1.90	57.2	34.9	24.8	19.6	16.3	11.1	7.8	5.0	4.2

†Subject to change without notice.



INSTALLATION AND OPERATING INSTRUCTIONS

- <http://www.eastpenmanufacturing.com/wp-content/uploads/Unigy-I-IO-Manual-0902.pdf>



www.dekabatteries.com

QUALITY SYSTEM
CERTIFIED
ISO 9001
ISO/TS 16949
ENVIRONMENTAL
SYSTEM CERTIFIED
ISO 14001



East Penn Manufacturing Co. Lyon Station, PA 19536-0147 Phone: 610-682-3263 Fax: 610-682-0891 e-mail: reservepowersales@dekabatteries.com