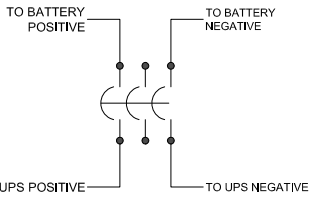
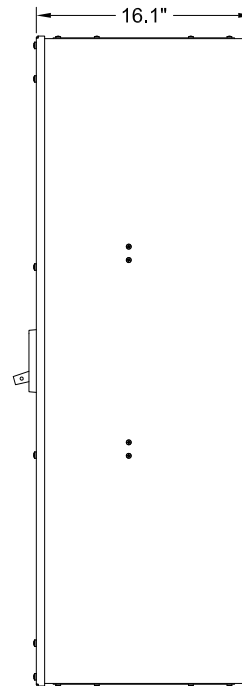
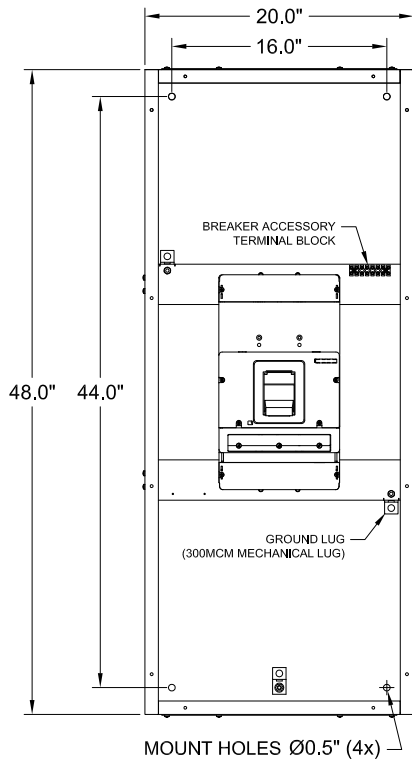
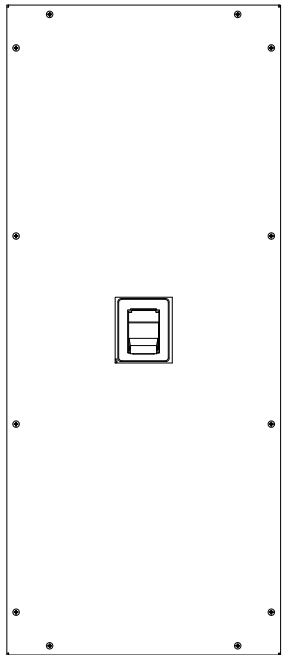
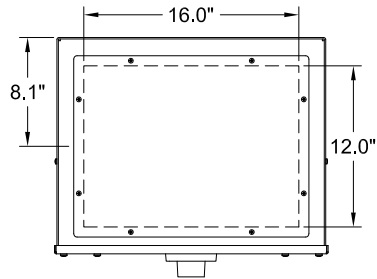
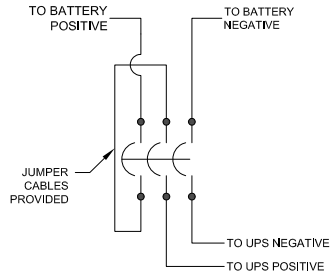


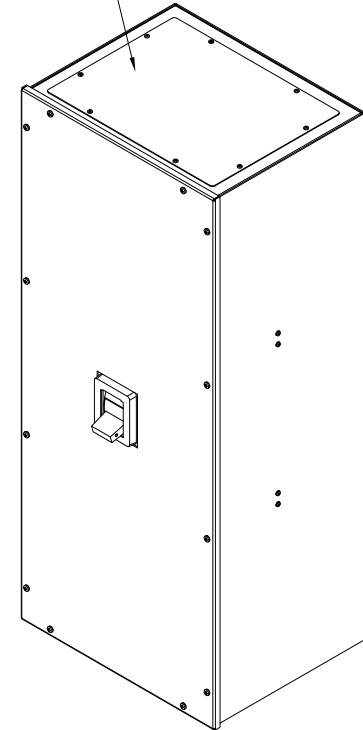
TYPICAL BREAKER WIRING (250 VDC MAX)



TYPICAL BREAKER WIRING (600 VDC MAX)



REMOVABLE GLAND PLATE
TYP. TOP & BOTTOM



CIRCUIT BREAKER SUMMARY

BREAKER TYPE	BREAKER MODEL	TRIP	AIC	WIRE RANGE
SIEMENS	HNC3BXXX	900-1200A	65K @ 600VDC	(4) 1/0 - 500

91830 SERIES WALL MOUNT UPS BATTERY DISCONNECT
900 AMP - 1200 AMP

THE INFORMATION CONTAINED IN THIS DRAWING IS THE SOLE PROPERTY OF C&C POWER, INC. ANY REPRODUCTION WITHOUT THE WRITTEN CONSENT OF C&C POWER, INC IS PROHIBITED.

DIMENSIONS ARE IN INCHES		INITIALS	DATE
TOLERANCES:	ANGLES:	DRAWN	7/27/2014
DECIMALS: .XX ±.13	±1°	PJC	
.XXX ±.082		CHECKED	8/24/2016
		CH	
SCALE: NTS	SER: A	REV: 6	

C&C POWER
ENGINEERED POWER PRODUCTS
WWW.CCPower.COM

© 2016 C&C POWER, INC.
ALL RIGHTS RESERVED

- NOTES:
- APPROXIMATE WEIGHT: 170 LBS.
 - ASSEMBLY IS LISTED TO UL 1778.
 - NEMA 1 WALL MOUNT ENCLOSURE.
 - THE BOX & COVER ARE CONSTRUCTED FROM HEAVY GAUGE COLD ROLLED STEEL.
 - AVAILABLE IN MULTIPLE COLORS OF DURABLE & CORROSION RESISTANT POWDER COAT FINISH.