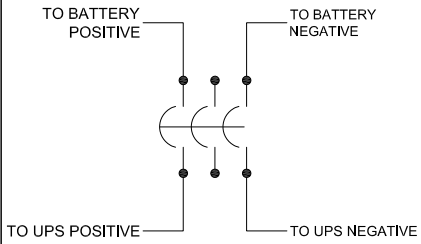
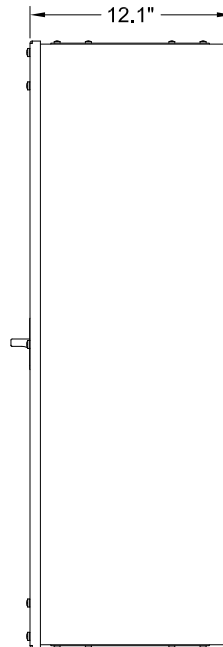
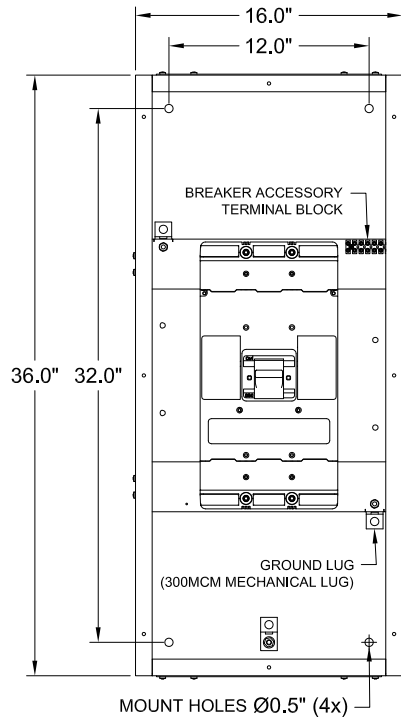
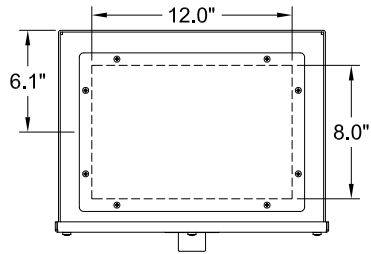
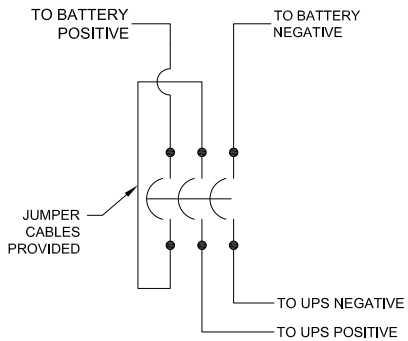


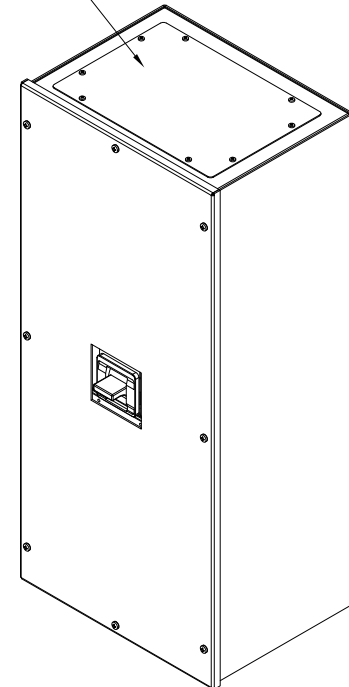
TYPICAL BREAKER WIRING (250 VDC MAX)



TYPICAL BREAKER WIRING (600 VDC MAX)



REMOVABLE GLAND PLATE  
TYP. TOP & BOTTOM



CIRCUIT BREAKER SUMMARY

BREAKER TYPE	BREAKER MODEL	TRIP	AIC	WIRE RANGE
CUTLER HAMMER SERIES G	LGEDC3XXX	500-600A	35K @ 600VDC	(2) 2 - 500
CUTLER HAMMER SERIES C	HMDLDC3700	700A	35K @ 600VDC	(2) 1 - 500
	HMDLDC3800	800A	35K @ 600VDC	(3) 3/0 - 400

91822 SERIES WALL MOUNT UPS BATTERY DISCONNECT  
500 AMP - 800 AMP

NOTES:

- APPROXIMATE WEIGHT: 130 LBS.
- 1. ASSEMBLY IS LISTED TO UL 1778.
- 2. NEMA 1 WALL MOUNT ENCLOSURE.
- 3. THE BOX & COVER ARE CONSTRUCTED FROM HEAVY GAUGE COLD ROLLED STEEL.
- 4. AVAILABLE IN MULTIPLE COLORS OF DURABLE & CORROSION RESISTANT POWDER COAT FINISH.

THE INFORMATION CONTAINED IN THIS DRAWING IS THE SOLE PROPERTY OF C&C POWER, INC. ANY REPRODUCTION WITHOUT THE WRITTEN CONSENT OF C&C POWER, INC IS PROHIBITED.

DIMENSIONS ARE IN INCHES		INITIALS	DATE
TOLERANCES:		DRAWN	PJC 7/27/2015
DECIMALS:	ANGLES:	CHECKED	CH 7/27/2015
.XX ±.13	±1°		
.XXX ±.082			
SCALE: NTS	SER: A	REV: 6	SHEET 1 OF 1

**C&C POWER**  
ENGINEERED POWER PRODUCTS  
WWW.CCPower.COM

© 2015 C&C POWER, INC.  
ALL RIGHTS RESERVED