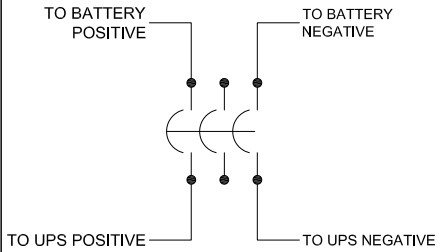
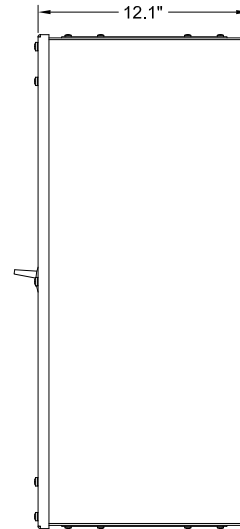
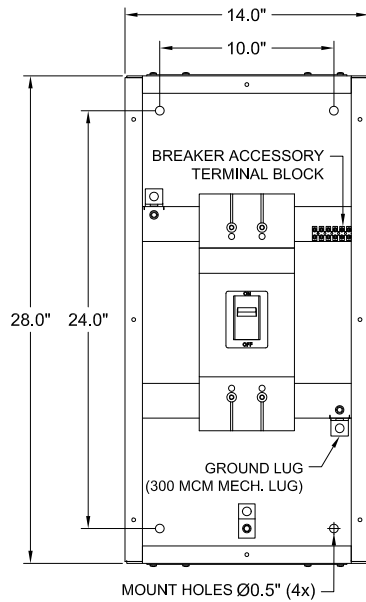
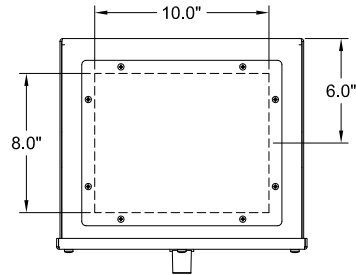
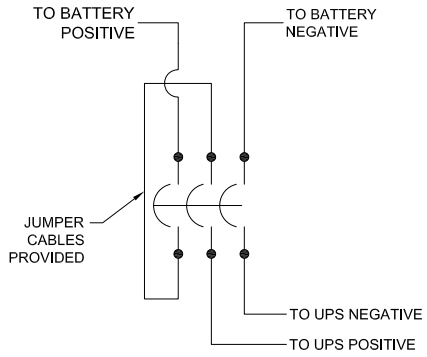


TYPICAL BREAKER WIRING (250 VDC MAX)



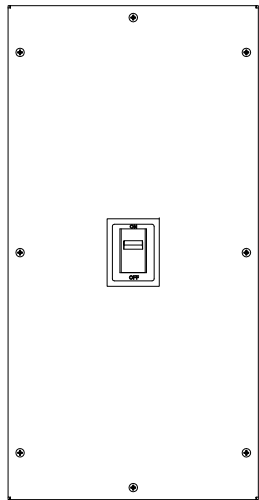
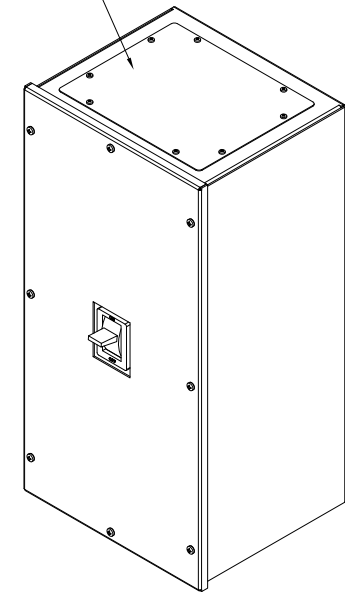
TYPICAL BREAKER WIRING (600 VDC MAX)



CIRCUIT BREAKER SUMMARY

BREAKER TYPE	BREAKER MODEL	TRIP	AIC	WIRE RANGE
CUTLER HAMMER SERIES C	HFDDC3XXX	15-100A	42K @ 600VDC	(1) 14 - 1/0
CUTLER HAMMER SERIES G	JGEDC3XXX	125-250A	35K @ 600VDC	(1) 8 - 350
	LGEDC3XXX	300-350A	35K @ 600VDC	(1) 3 - 500
	LGEDC3400	400A	35K @ 600VDC	(1) 500 - 750

REMOVABLE GLAND PLATE TYP. TOP & BOTTOM



- NOTES:
- 1. ASSEMBLY IS LISTED TO UL 1778.
 - 2. NEMA 1 WALL MOUNT ENCLOSURE.
 - 3. THE BOX & COVER ARE CONSTRUCTED FROM HEAVY GAUGE COLD ROLLED STEEL.
 - 4. AVAILABLE IN MULTIPLE COLORS OF DURABLE & CORROSION RESISTANT POWDER COAT FINISH.

91810 SERIES WALL MOUNT UPS BATTERY DISCONNECT			
15 AMP - 400 AMP			
--			
THE INFORMATION CONTAINED IN THIS DRAWING IS THE SOLE PROPERTY OF C&C POWER, INC. ANY REPRODUCTION WITHOUT THE WRITTEN CONSENT OF C&C POWER, INC IS PROHIBITED.			
DIMENSIONS ARE IN INCHES		INITIALS	DATE
TOLERANCES:		DRAWN	PJC
DECIMALS: .XX ±.13	ANGLES: ±1"	CHECKED	CH
.XXX ±.082			7/27/2015
SCALE: NTS	SIZE: A	REV: 6	SHEET 1 OF 1

C&C POWER
ENGINEERED POWER PRODUCTS
WWW.CCPOWER.COM

© 2015 C&C POWER, INC.
ALL RIGHTS RESERVED