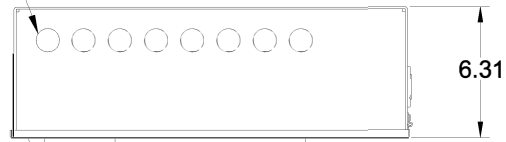
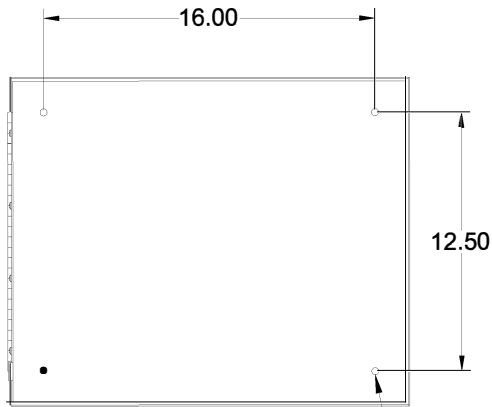


3/4" TRADE SIZE CONDUIT KNOCKOUTS FOR CUSTOMER INPUTS (8x) TOP AND BOTTOM

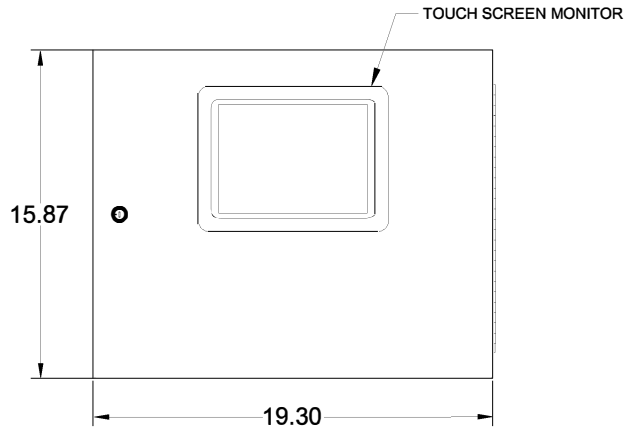


TOP VIEW

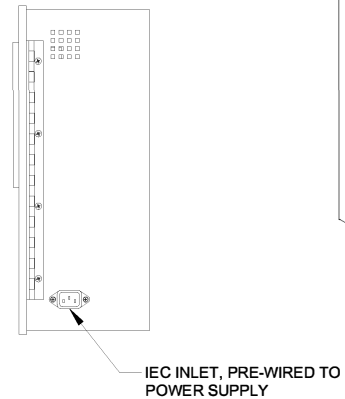


REAR VIEW

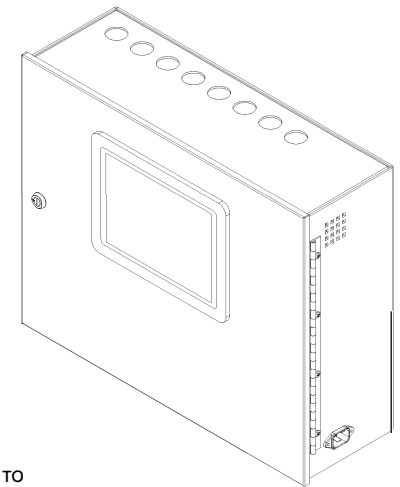
.343" MOUNT HOLES FOR 5/16 HARDWARE (4x)



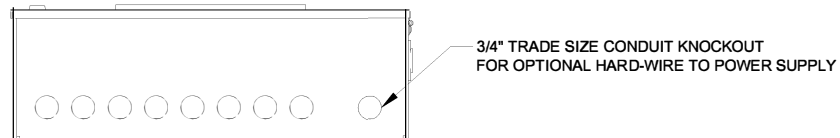
FRONT VIEW



RIGHT SIDE VIEW



ISOMETRIC VIEW



BOTTOM VIEW

- NOTES:
1. ENCLOSURE IS CONSTRUCTED FROM COLD ROLLED STEEL.
  2. DURABLE, CHIP AND CORROSION RESISTANT POWDER COAT FINISH.
  3. ENCLOSURE IS PROVIDED WITH A HINGED DOOR AND 1/4 TURN COMPRESSION LATCH.

93130 RSAP TOUCH			
MECHANICAL DRAWING			
---			
DIMENSIONS ARE IN INCHES		INITIALS	DATE
TOLERANCES:		DRAWN	
DECIMALS:	ANGLES:	PJC	07/02/2013
.XX ± .13	± 1°	CHECKED	CH
.XXX ± .062			07/02/2013
MATERIAL: SEE NOTES			
FINISH: SEE NOTES			
CAD GENERATED DRAWING DO NOT MANUALLY UPDATE			
SCALE	SIZE	REV	
NTS	A	2	SHEET 1 OF 1
<p>THE INFORMATION CONTAINED IN THIS DRAWING IS THE SOLE PROPERTY OF C&amp;C POWER, INC. ANY REPRODUCTION WITHOUT THE WRITTEN CONSENT OF C&amp;C POWER, INC IS PROHIBITED.</p> <p><b>C&amp;C POWER</b> ENGINEERED POWER PRODUCTS WWW.CCPOWER.COM</p> <p>© 2013 C&amp;C POWER, INC. ALL RIGHTS RESERVED</p>			