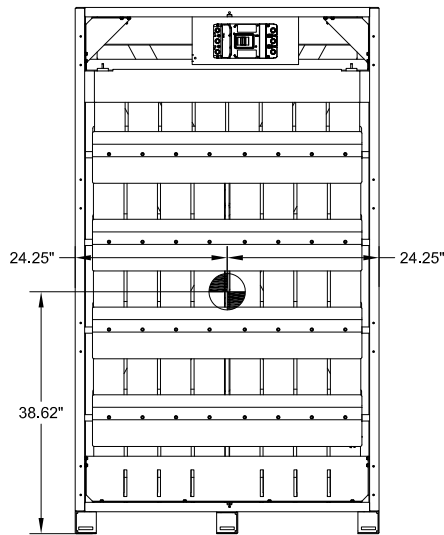
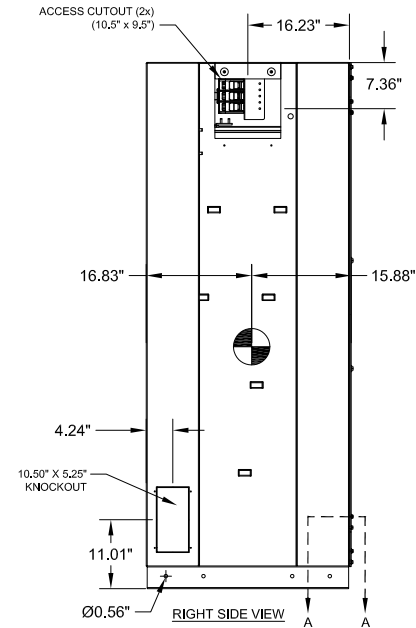


REAR VIEW

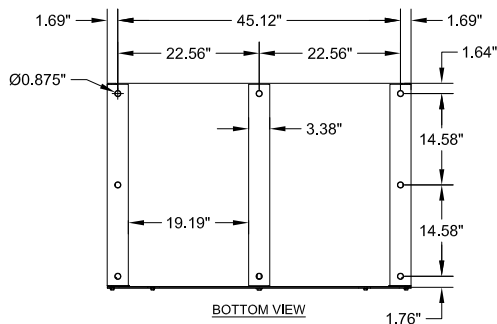
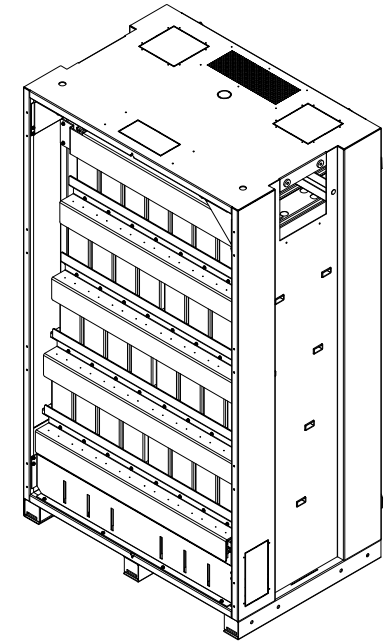
APPROXIMATE WEIGHT FOR CENTER OF GRAVITY : 7200 LBS (WORST CASE 480VDC APPLICATION)



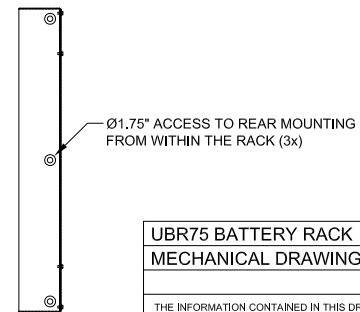
FRONT VIEW



RIGHT SIDE VIEW



BOTTOM VIEW



SECTION VIEW A-A

- NOTES:
- EMPTY RACK WEIGHT: 1000
 - HEAVY GAUGE WELDED STEEL CONSTRUCTION.
 - AVAILABLE IN MULTIPLE COLORS OF DURABLE CHIP AND CORROSION RESISTANT POWDER COAT FINISH.
 - FOR EASE OF CONDUIT INSTALLATION, (1) 8" X 8" CONDUIT PLATE IS PROVIDED TO REPLACE A KNOCKOUT IN THE RACK.
 - BATTERIES CAN BE ACCESSED FROM THE FRONT OF THE RACK.
 - RACK CAN BE MOVED WITH PALLET JACK OR FORK LIFT AT PALLET JACK ACCESS POINTS LOCATED AT FRONT OR REAR OF RACK. FROM THE SIDES, THE RACK CAN BE MOVED WITH ROL-A-LIFT TYPE EQUIPMENT MOVER. THE RACK IS ONLY TO BE LIFTED FROM THE BOTTOM.
 - THE UBR75S BATTERY RACK (OPTIONAL CONFIGURATION) HAS BEEN CERTIFIED TO MEET THE 2012 EDITION OF THE INTERNATIONAL BUILDING CODE (IBC) AND THE 2013 EDITION OF THE CALIFORNIA BUILDING CODE (CBC) TO MEET DESIGN CATEGORY F, SS = 2.0 AND IMPORTANCE FACTOR 1.5.

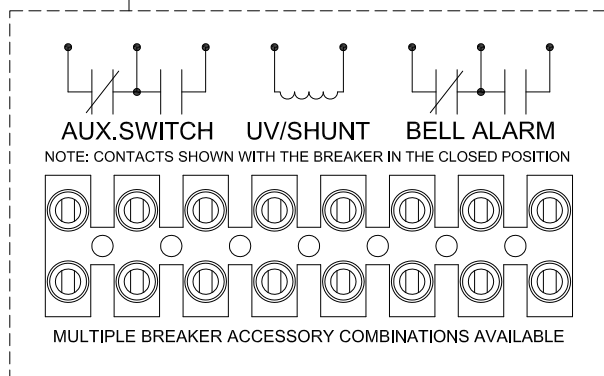
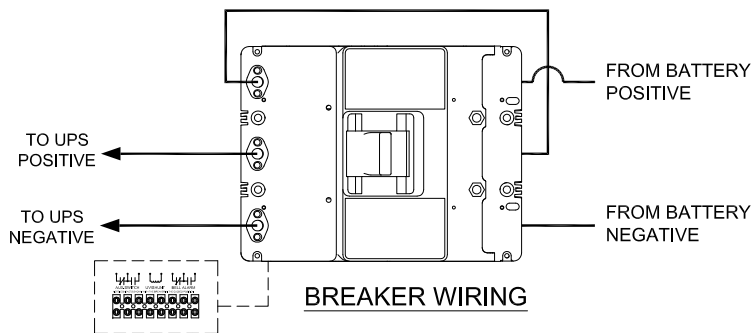
UBR75 BATTERY RACK
MECHANICAL DRAWING

THE INFORMATION CONTAINED IN THIS DRAWING IS THE SOLE PROPERTY OF C&C POWER, INC. ANY REPRODUCTION WITHOUT THE WRITTEN CONSENT OF C&C POWER, INC IS PROHIBITED.

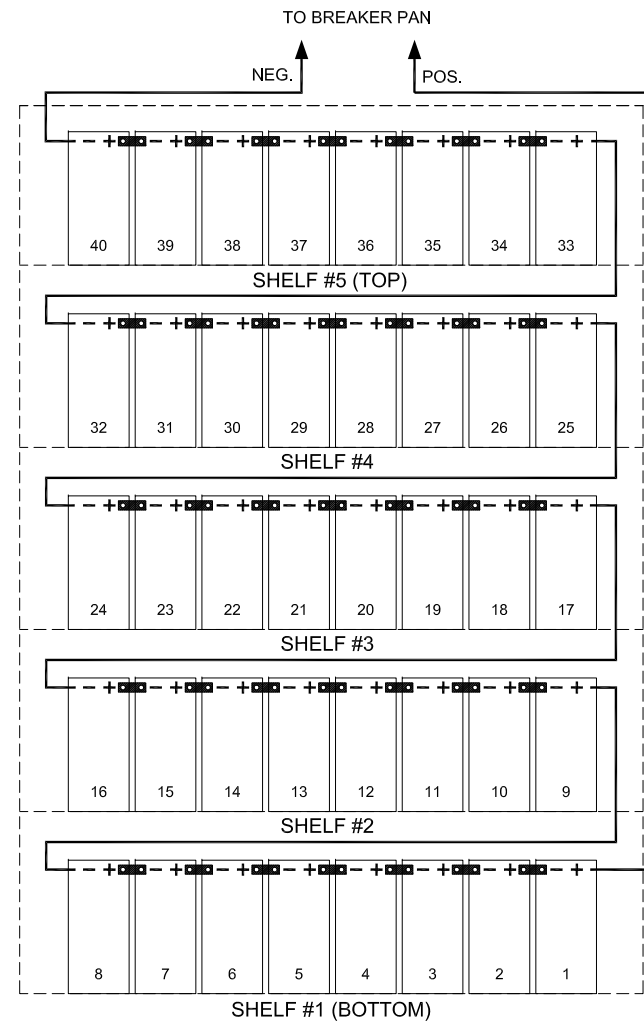
DIMENSIONS ARE IN INCHES		INITIALS	DATE
TOLERANCES:		DRAWN	JRL
DECIMALS:	ANGLES:	CHECKED	CH
.XX ±.13	±1°		11/17/2016
.XXX ±.082			
SCALE: NTS	SIZ: A	REV: 4	SHEET 1 OF 2

C&C POWER
ENGINEERED POWER PRODUCTS
WWW.CCPower.COM

© 2016 C&C POWER, INC.
ALL RIGHTS RESERVED



BREAKER ACCESSORIES



480VDC TYPICAL WIRING

NOTES:

1. ALL INTERNAL WIRING IS UL LISTED, MTW, STYLE, 105C, EXTRA FLEXIBLE CABLE.
2. BREAKER IS UL LISTED.
3. RACKS WITH BREAKERS ARE SHIPPED WITH THE BREAKER IN THE OFF/OPEN POSITION.
4. RACKS ARE SHIPPED WITH A BATTERY JUMPER REMOVED TO BREAK STRING VOLTAGE FOR ADDED SAFETY IN SHIPPING.
5. THE TERMINAL BLOCKS ARE UL RECOGNIZED, 600V RATED.
6. CABLES FROM RACK TO UPS SYSTEM ARE OPTIONAL.
7. GROUND CONNECTION IS #6-300MCM MECHANICAL LUG.

**UBR75 BATTERY RACK
ELECTRICAL DRAWING**

THE INFORMATION CONTAINED IN THIS DRAWING IS THE SOLE PROPERTY OF C&C POWER, INC. ANY REPRODUCTION WITHOUT THE WRITTEN CONSENT OF C&C POWER, INC IS PROHIBITED.

DIMENSIONS ARE IN INCHES	INITIALS	DATE
TOLERANCES: DECIMALS: .XX ±.13 .XXX ±.082	DRAWN JRL	01/12/15
ANGLES: ±1°	CHECKED CH	01/12/15
SCALE: NTS	SHEET 2 OF 2	

C&C POWER
ENGINEERED POWER PRODUCTS
WWW.CCPOWER.COM

© 2015 C&C POWER, INC.
ALL RIGHTS RESERVED