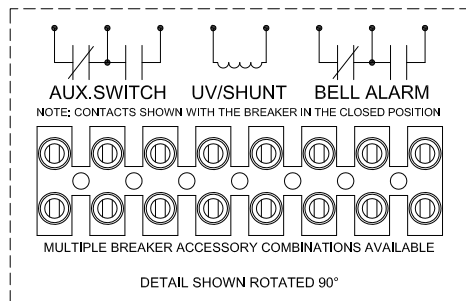


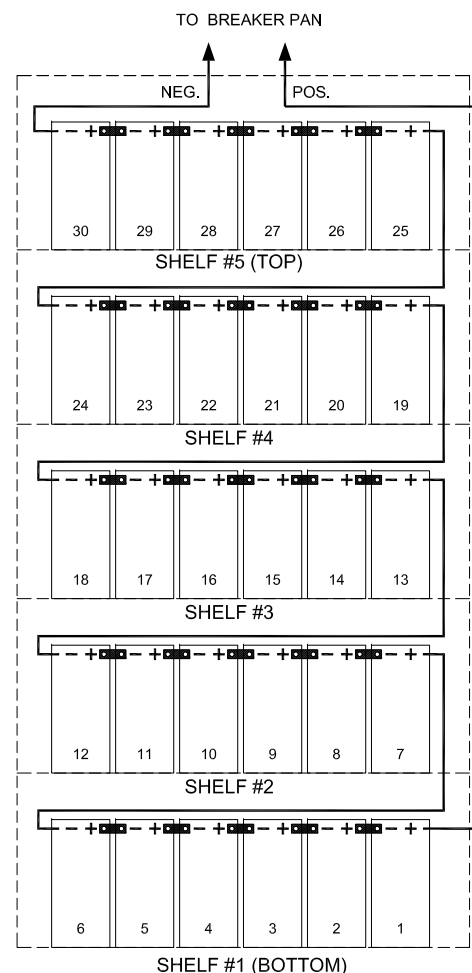
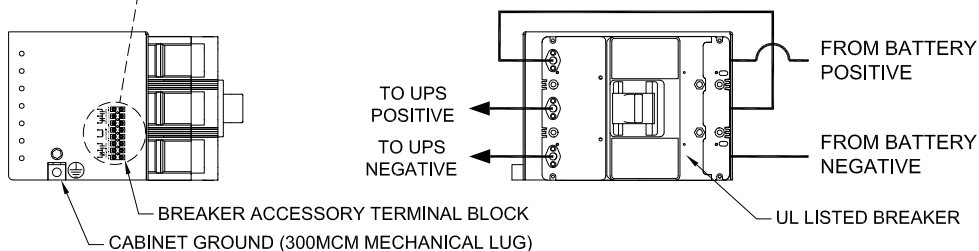
- NOTES:**
 EMPTY CABINET WEIGHT: 450 LBS.
 1. NEMA 1 ENCLOSED BATTERY CABINET.
 2. FACTORY ASSEMBLED CABINETS ARE LISTED TO UL 1778.
 3. HEAVY GAUGE WELDED STEEL CONSTRUCTION.
 4. AVAILABLE IN MULTIPLE COLORS OF DURABLE CHIP AND CORROSION RESISTANT POWDER COAT FINISH.
 5. A MINIMUM REAR CLEARANCE OF 2" IS RECOMMENDED FOR OPTIMAL COOLING OF THE EQUIPMENT.
 6. FOR EASE OF CONDUIT INSTALLATION, (1) 8" X 5.75" CONDUIT PLATE IS PROVIDED TO REPLACE A KNOCKOUT IN THE CABINET.
 7. BATTERIES CAN BE ACCESSED FROM THE FRONT OF THE CABINET.
 8. CABINET CAN BE MOVED WITH PALLET JACK OR FORK LIFT AT PALLET JACK ACCESS POINTS LOCATED AT FRONT OR REAR OF CABINET. FROM THE SIDES THE CABINET CAN BE MOVED WITH ROL-A-LIFT TYPE EQUIPMENT MOVER. THE CABINET IS ONLY TO BE LIFTED FROM THE BOTTOM.
 9. THE UBC40S BATTERY CABINET (OPTIONAL CONFIGURATION) HAS BEEN CERTIFIED TO MEET THE 2012 EDITION OF THE INTERNATIONAL BUILDING CODE (IBC) AND THE 2013 EDITION OF THE CALIFORNIA BUILDING CODE (CBC) TO MEET DESIGN CATEGORY F, SS = 2.0 AND IMPORTANCE FACTOR 1.5.

UBC40 BATTERY CABINET			
MECHANICAL DRAWING			
THE INFORMATION CONTAINED IN THIS DRAWING IS THE SOLE PROPERTY OF C&C POWER, INC. ANY REPRODUCTION WITHOUT THE WRITTEN CONSENT OF C&C POWER, INC IS PROHIBITED.		C&C POWER ENGINEERED POWER PRODUCTS WWW.CCPOWER.COM	
DIMENSIONS ARE IN INCHES	INITIALS	DATE	
TOLERANCES:	DRAWN JRL	10/23/15	
DECIMALS: .XX ±.13	CHECKED CH	10/23/15	
ANGLES: .XXX ±.082			
SCALE: SIZE: A	REV: 4	SHEET 1 OF 2	
NTS		© 2015 C&C POWER, INC. ALL RIGHTS RESERVED	

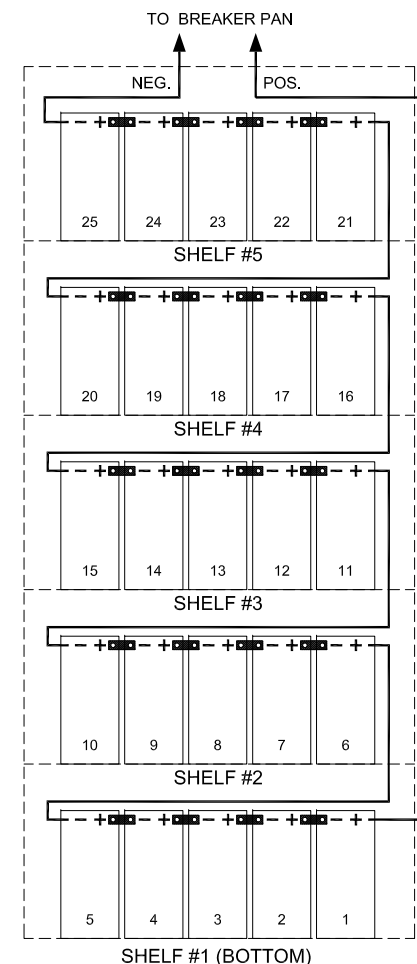
BATTERY CONFIGURATIONS	
AH CAPACITY	MAXIMUM NUMBER OF BATTERIES
100 AH	30
150 AH	25



BREAKER PAN



100AH BATTERY MAX CAPACITY
(360VDC TYPICAL WIRING)



150AH BATTERY MAX CAPACITY
(300VDC TYPICAL WIRING)

NOTES:

1. ALL INTERNAL WIRING IS UL LISTED, MTW, STYLE, 105C, EXTRA FLEXIBLE CABLE.
2. BREAKER IS UL LISTED.
3. CABINETS WITH BREAKERS ARE SHIPPED WITH BREAKER IN THE OFF/OPEN POSITION.
4. CABINETS ARE SHIPPED WITH BATTERY JUMPER REMOVED TO BREAK STRING VOLTAGE FOR ADDED SAFETY IN SHIPPING.
5. THE TERMINAL BLOCKS ARE UL RECOGNIZED, 600V RATED.
6. CABLES FROM BATTERY CABINET TO UPS SYSTEM ARE OPTIONAL.
7. GROUND CONNECTION IS #6-300MCM MECHANICAL LUG.

UBC40 BATTERY CABINET ELECTRICAL DRAWING

THE INFORMATION CONTAINED IN THIS DRAWING IS THE SOLE PROPERTY OF C&C POWER, INC. ANY REPRODUCTION WITHOUT THE WRITTEN CONSENT OF C&C POWER, INC IS PROHIBITED.

DIMENSIONS ARE IN INCHES		INITIALS	DATE
TOLERANCES:	ANGLES:	DRAWN	JRL
DECIMALS: .XX ±.13	±1°	CHECKED	CH
.XXX ±.082			
SCALE: NTS	SHEET: A	REV: 5	SHEET 2 OF 2

C&C POWER
ENGINEERED POWER PRODUCTS
WWW.CCPOWER.COM

© 2015 C&C POWER, INC.
ALL RIGHTS RESERVED