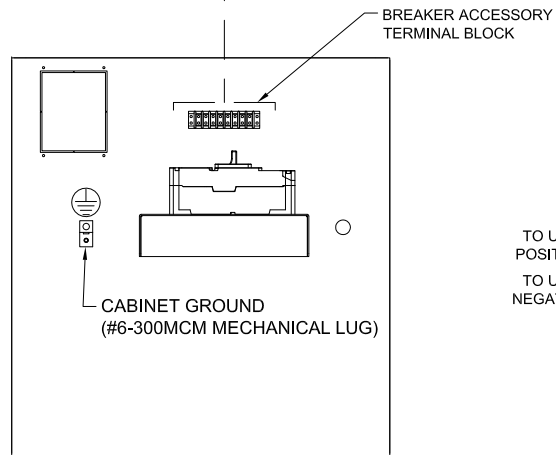
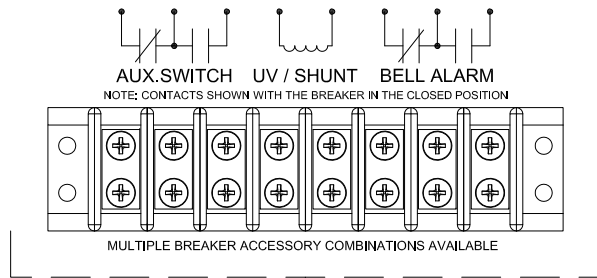


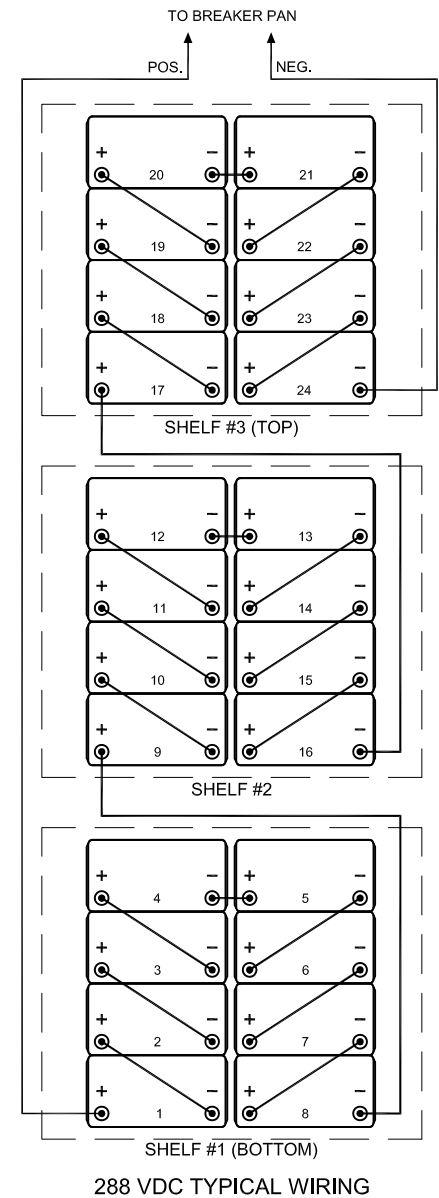
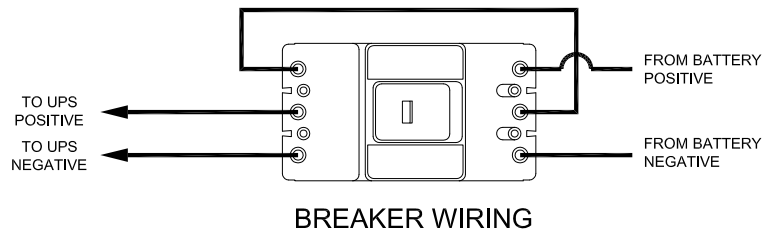
- NOTES:**
- EMPTY CABINET WEIGHT: 375
1. NEMA 1 ENCLOSED BATTERY CABINET.
 2. FACTORY ASSEMBLED CABINETS ARE LISTED TO UL 1778.
 3. HEAVY GAUGE WELDED STEEL CONSTRUCTION.
 4. AVAILABLE IN MULTIPLE COLORS OF DURABLE CHIP AND CORROSION RESISTANT POWDER COAT FINISH.
 5. A MINIMUM REAR CLEARANCE OF 2" IS RECOMMENDED FOR OPTIMAL COOLING OF THE EQUIPMENT.
 6. FOR EASE OF CONDUIT INSTALLATION, (1) 6.25"x5.125", 16 GAUGE CONDUIT KNOCKOUT PLATE IS PROVIDED TO REPLACE ONE OF THE 10 GAUGE KNOCKOUTS IN THE CABINET.
 7. BATTERIES CAN BE ACCESSED FROM THE FRONT AND REAR OF THE CABINET.
 8. CABINET IS SUPPLIED ON SKID WITH HEAVY DUTY RAMP FOR EASY UNLOADING. CABINET IS TO BE MOVED USING THE CABINET CASTERS.
 9. THE BC25S BATTERY CABINET (OPTIONAL CONFIGURATION) HAS BEEN CERTIFIED TO MEET THE 2012 EDITION OF THE INTERNATIONAL BUILDING CODE (IBC) AND THE 2013 EDITION OF THE CALIFORNIA BUILDING CODE (CBC) TO MEET DESIGN CATEGORY F, SS = 2.0 AND IMPORTANCE FACTOR 1.5.

BC25S BATTERY CABINET (3) SHELF			
MECHANICAL DRAWING			
THE INFORMATION CONTAINED IN THIS DRAWING IS THE SOLE PROPERTY OF C&C POWER, INC. ANY REPRODUCTION WITHOUT THE WRITTEN CONSENT OF C&C POWER, INC IS PROHIBITED.		C&C POWER ENGINEERED POWER PRODUCTS WWW.CCPower.COM	
DIMENSIONS ARE IN INCHES	TOLERANCES:	INITIALS	DATE
DECIMALS:	ANGLES:	DRAWN	
.XX ±.13	±1°	JRL	12/30/2016
.XXX ±.082		CHECKED	
		CH	12/30/2016
SCALE: SIZE: A	REV: 4	SHEET 1 OF 2	
NTS		© 2016 C&C POWER, INC. ALL RIGHTS RESERVED	

DRAWING #: 91425-SDC01-1 REV 4



SECTION VIEW A-A



BATTERY CONFIGURATIONS

WPC CAPACITY	MAXIMUM NUMBER OF BATTERIES
200 W	30
300 W	30
350 W	24
400 W	24
500 W	24

NOTES:

1. ALL INTERNAL WIRING IS UL LISTED, MTW, STYLE, 105C, EXTRA FLEXIBLE CABLE.
2. BREAKER IS UL LISTED.
3. CABINETS WITH BREAKERS ARE SHIPPED WITH BREAKER IN THE OFF/OPEN POSITION.
4. CABINETS ARE SHIPPED WITH BATTERY JUMPER REMOVED TO BREAK STRING VOLTAGE FOR ADDED SAFETY IN SHIPPING.
5. TERMINAL BLOCK IS UL RECOGNIZED, 600V RATED.
6. CABLES FROM BATTERY CABINET TO UPS SYSTEM ARE OPTIONAL.
7. GROUND CONNECTION IS #6-300MCM MECHANICAL LUG.

BC25 BATTERY CABINET (3) SHELF			
ELECTRICAL DRAWING			
THE INFORMATION CONTAINED IN THIS DRAWING IS THE SOLE PROPERTY OF C&C POWER, INC. ANY REPRODUCTION WITHOUT THE WRITTEN CONSENT OF C&C POWER, INC IS PROHIBITED.			
DIMENSIONS ARE IN INCHES	INITIALS	DATE	
TOLERANCES:	DRAWN	JRL	01/03/2017
DECIMALS: .XX ±.13	ANGLES:	CHECKED	CH
.XXX ±.082	±1°	01/03/2017	
SCALE: NTS	SZ: A	REV: 6	SHEET 2 OF 2

C&C POWER
ENGINEERED POWER PRODUCTS
WWW.CCPower.COM

© 2017 C&C POWER, INC.
ALL RIGHTS RESERVED