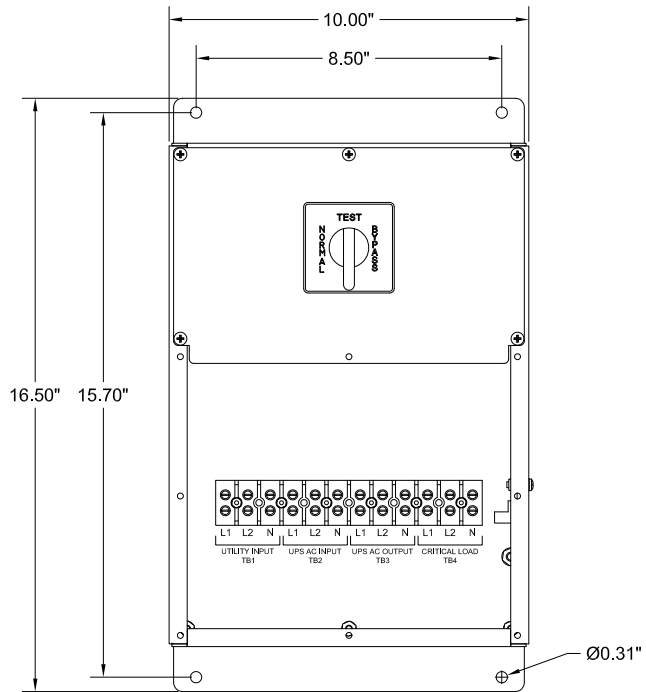
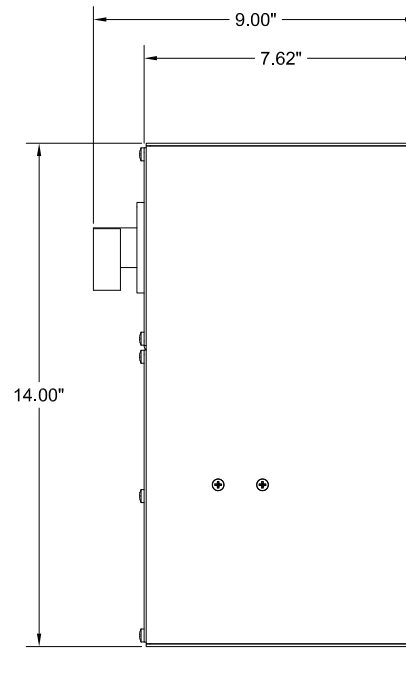


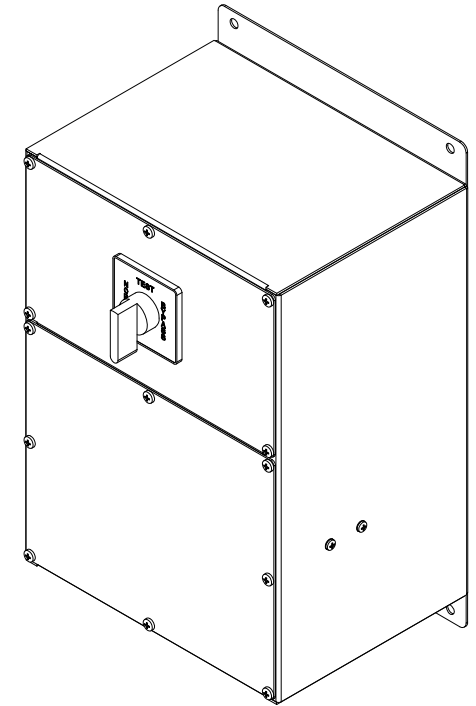
TOP VIEW



FRONT VIEW
(COVER REMOVED)



SIDE VIEW

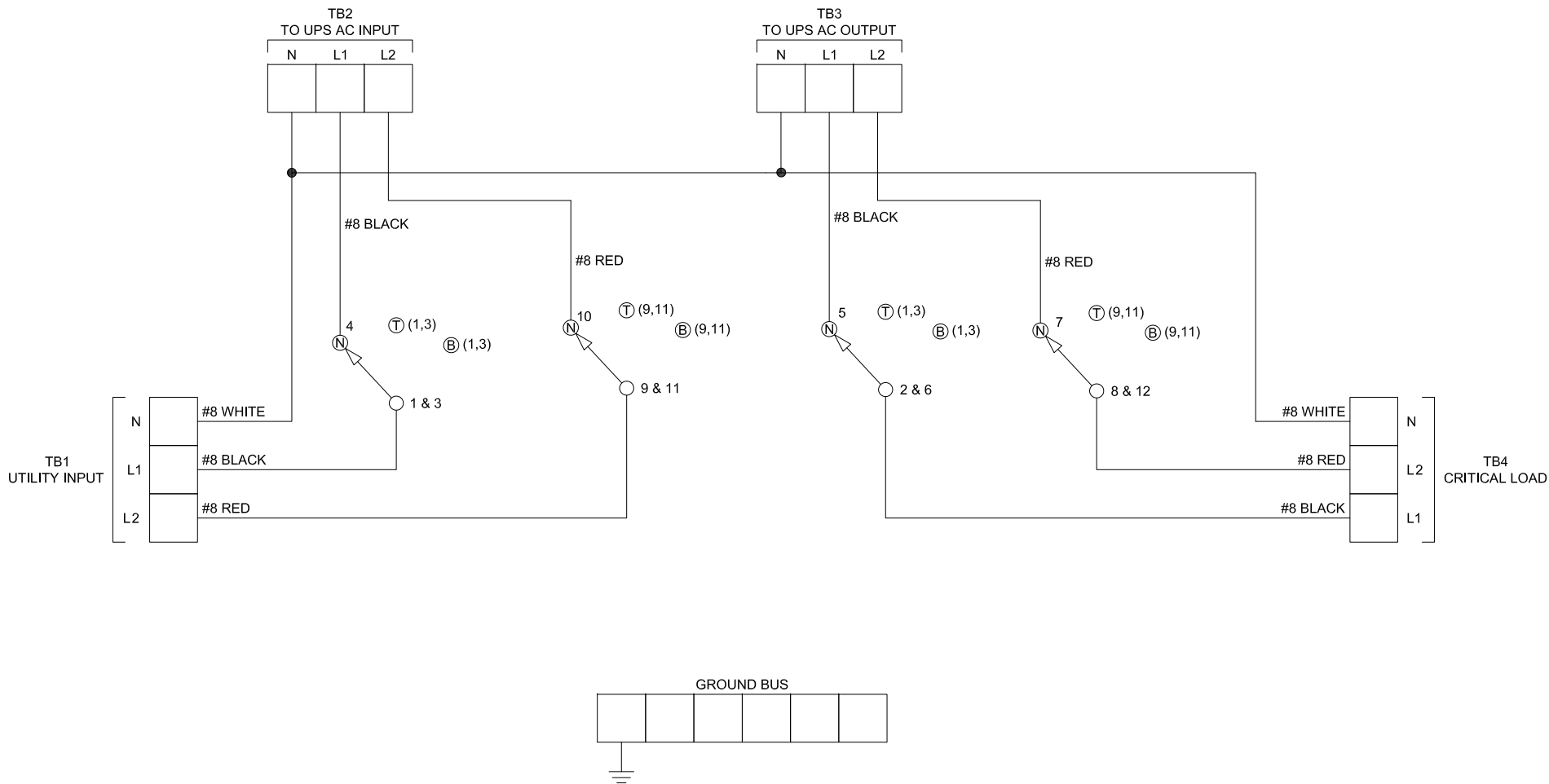


NOTES:

1. APPROXIMATE WEIGHT: 35 LBS.
2. ASSEMBLY IS LISTED TO UL 1778.
3. NEMA 1 WALL MOUNT ENCLOSURE.
4. THE ENCLOSURE & COVERS ARE CONSTRUCTED FROM HEAVY GAUGE STEEL.
5. FINISH IS DURABLE POLYESTER TGIC POWDER COAT.
6. THE CABINET IS TO BE MOUNTED THROUGH THE Ø0.312" HOLES ON THE MOUNT BRACKETS ON THE ENCLOSURE.

93802 SERIES WALL MOUNT MAINTENANCE BYPASS SWITCH			
50A-63A, 208V/240V, 1Ø/3W/G			
--			
THE INFORMATION CONTAINED IN THIS DRAWING IS THE SOLE PROPERTY OF C&C POWER, INC. ANY REPRODUCTION WITHOUT THE WRITTEN CONSENT OF C&C POWER, INC IS PROHIBITED.			
DIMENSIONS ARE IN INCHES		INITIALS	DATE
TOLERANCES:		DRAWN	CH
DECIMALS:	ANGLES:	CHECKED	CH
.XX ±.13	±1°		4/7/2015
.XXX ±.062			4/7/2015
SCALE:	SIZE:	REV:	
NTS	A	1	
SHEET 1 OF 2			© 2015 C&C POWER, INC. ALL RIGHTS RESERVED

C&C POWER
ENGINEERED POWER PRODUCTS
WWW.CCPOWER.COM
© 2015 C&C POWER, INC.
ALL RIGHTS RESERVED



NOTES:

1. TB1, TB2, TB3, & TB4 ACCEPT BARE WIRE FROM #18 - #4 AWG.
2. THE GROUND BUS ACCEPTS BARE WIRE FROM #14 - #4 AWG.
3. THIS DRAWING IS TO BE USED FOR ELECTRICAL PURPOSES ONLY AND DOES NOT REPRESENT THE ACTUAL MECHANICAL LAYOUT OF THE EQUIPMENT.

93802 SERIES WALL MOUNT MAINTENANCE BYPASS SWITCH			
50A-63A, 208V/240V, 1Ø/3W/G			
--			
THE INFORMATION CONTAINED IN THIS DRAWING IS THE SOLE PROPERTY OF C&C POWER, INC. ANY REPRODUCTION WITHOUT THE WRITTEN CONSENT OF C&C POWER, INC IS PROHIBITED.			
DIMENSIONS ARE IN INCHES		INITIALS	DATE
TOLERANCES:		DRAWN CH	10/25/2017
DECIMALS: .XX ±.13	ANGLES: ±1°	CHECKED CH	10/25/2017
.XXX ±.082			
SCALE: NTS	SHEET: A	REV: 1	SHEET 2 OF 2

C&C POWER
ENGINEERED POWER PRODUCTS
 WWW.CCPOWER.COM

© 2017 C&C POWER, INC.
 ALL RIGHTS RESERVED