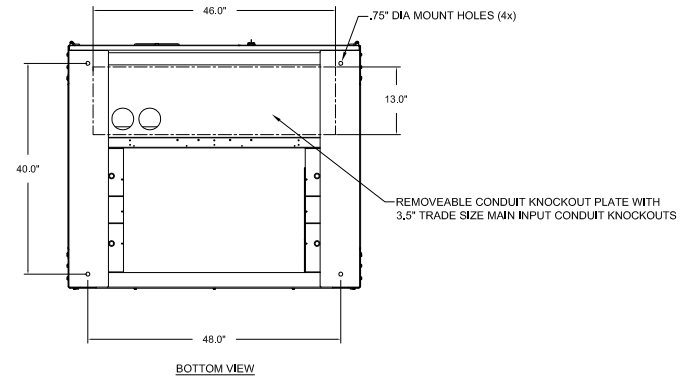
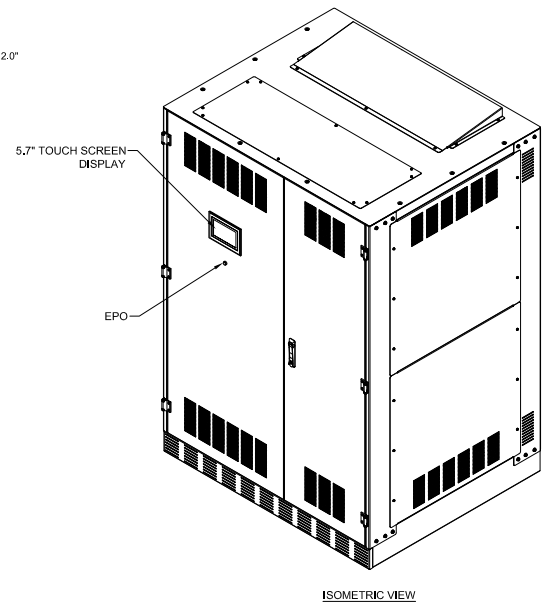
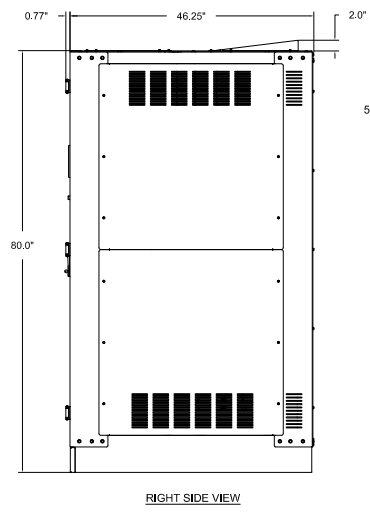
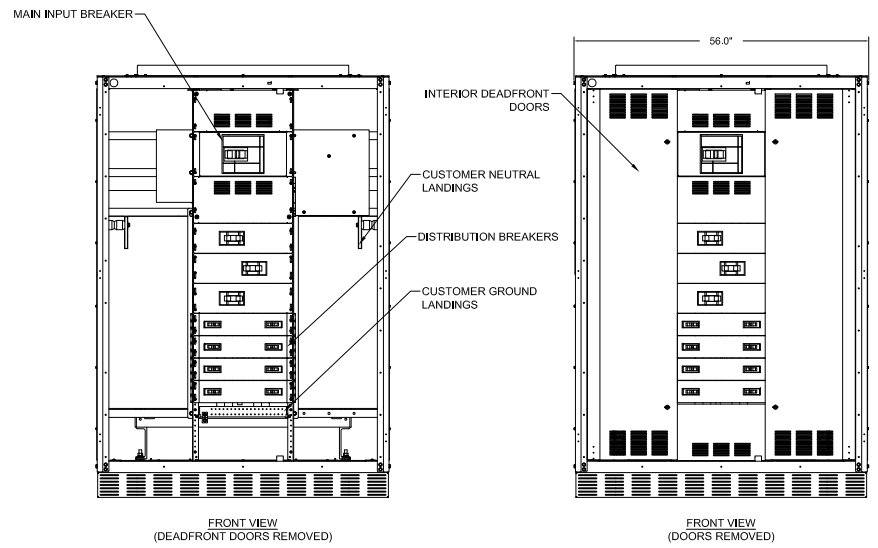
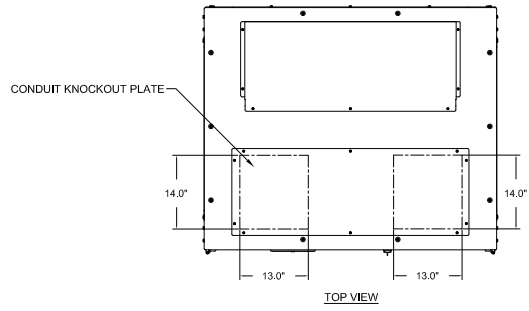


**NOTES:**

1. 400KVA OR 500KVA 480D-208Y/120V 60HZ DOUBLE SHIELD, K13, DOE 2016 TRANSFORMER.
2. TOP OR BOTTOM MAIN FEED AND SUB FEEDS.
3. HEAVY GAUGE WELDED STEEL BASE.
4. DURABLE CHIP AND CORROSION RESISTANT POWDER COAT FINISH.
5. REMOVABLE VENTED SKIRT PLATES FOR FRONT PALLET JACK ACCESS.
6. UP TO (16) 225A OR (6) 600A SUBFEEDS OR A COMBINATION OF BOTH.
7. DEADFRONTS REMOVABLE PER BREAKER OR AS FULL PANEL ASSEMBLY.
8. METERING ON MAIN OUTPUT AND ALL OUTPUT BREAKERS FACTORY INSTALLED.



<b>400KVA - 500KVA POWER DISTRIBUTION UNIT</b>			
<b>BASE MECHANICAL DRAWING</b>			
--			
THE INFORMATION CONTAINED IN THIS DRAWING IS THE SOLE PROPERTY OF C&C POWER, INC. ANY REPRODUCTION WITHOUT THE WRITTEN CONSENT OF C&C POWER, INC IS PROHIBITED.			
DIMENSIONS ARE IN INCHES		INITIALS	DATE
TOLERANCES:		DRAWN PJC	11/11/2016
DECIMALS: .XX ±.13	ANGLES: ±1°	CHECKED CH	11/11/2016
SCALE: NTS	SIZE: A	REV: 2	SHEET 1 OF 1
		<b>C&amp;C POWER</b> <b>ENGINEERED POWER PRODUCTS</b> WWW.CCPower.COM © 2016 C&C POWER, INC. ALL RIGHTS RESERVED	

DRAWING #: 9901 SDD-1-REV 2