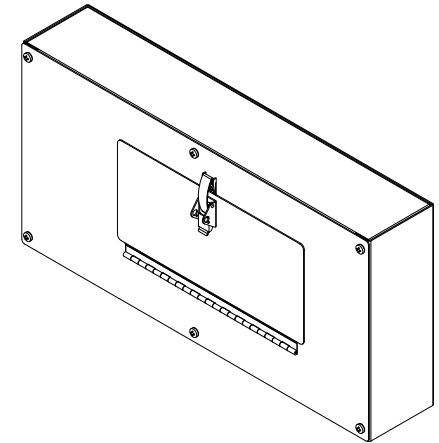
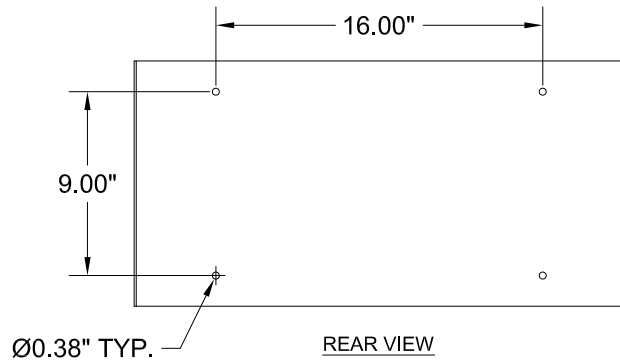


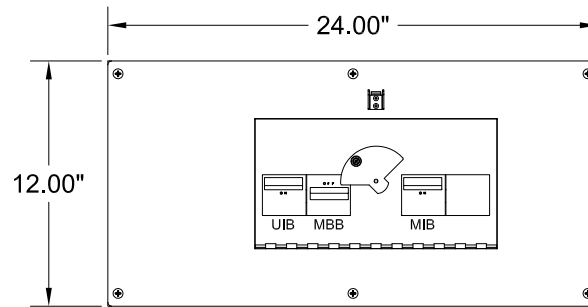
TOP VIEW



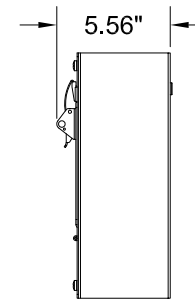
ISOMETRIC VIEW



REAR VIEW



FRONT VIEW  
(DOOR REMOVED)



SIDE VIEW

NOTES:

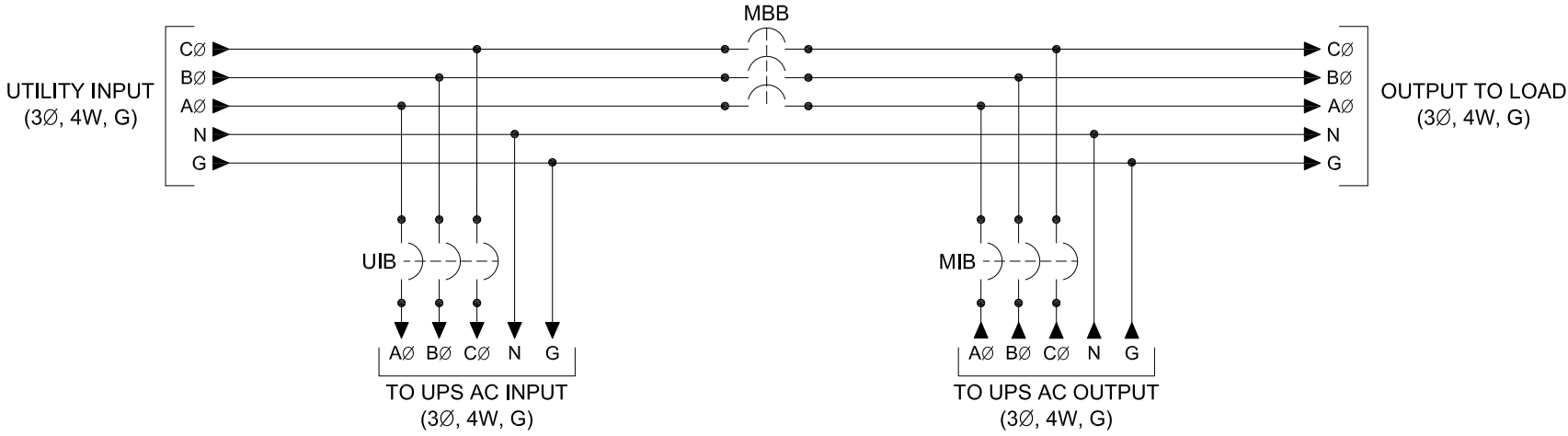
APPROXIMATE WEIGHT: 20 LBS.

1. ASSEMBLY IS UL LISTED TO UL 891.
2. NEMA 1 WALL MOUNT ENCLOSURE.
3. THE BOX & TRIM ARE CONSTRUCTED OF GALVANIZED STEEL.
4. THE TRIM FINISH IS POWDER COATED ON ALL EXTERNAL AND VISIBLE SURFACES, BOX AND ALL INTERNAL MOUNT BRACKETS ARE GALVANIZED FINISH.
5. THE PANEL IS PROVIDED WITH A PAD LOCK LATCH ON THE ACCESS COVER.
6. THE PANEL IS TO BE MOUNTED THROUGH THE Ø0.375" HOLES IN THE BACK OF THE ENCLOSURE.

90888 SERIES WALL MOUNT MAINTENANCE BYPASS PANEL			
10A-100A, 120V/208V, 3Ø/4W/G, 3 BREAKER			
DIMENSIONS ARE IN INCHES		INITIALS	DATE
TOLERANCES:		DRAWN	PC
DECIMALS:	ANGLES:	CHECKED	CH
.XX ±.13	±1"		2/7/2014
.XXX ±.062			
MATERIAL: SEE NOTES SHEET 1			
FINISH: SEE NOTES SHEET 1			
CAD GENERATED DRAWING DO NOT MANUALLY UPDATE			
SCALE:	SIZE:	REV:	
NTS	A	2	SHEET 1 OF 2
<p>THE INFORMATION CONTAINED IN THIS DRAWING IS THE SOLE PROPERTY OF C&amp;C POWER, INC. ANY REPRODUCTION WITHOUT THE WRITTEN CONSENT OF C&amp;C POWER, INC IS PROHIBITED.</p> <p><b>C&amp;C POWER</b> ENGINEERED POWER PRODUCTS WWW.CCPOWER.COM</p> <p>© 2014 C&amp;C POWER, INC. ALL RIGHTS RESERVED</p>			

**CIRCUIT BREAKER SUMMARY**

BREAKER TYPE	BREAKER MODEL	TRIP	BREAKER AIC	WIRE RANGE
CUTLER HAMMER TYPE CH	CH3XX	10-35A	10K @ 240VAC	(1) 14 - 6
		40-100A	10K @ 240VAC	(1) 10 - 1/0



- NOTES:**
- "UIB" UPS INPUT BREAKER.
  - "MBB" MAINTENANCE BYPASS BREAKER.
  - "MIB" MAINTENANCE ISOLATION BREAKER.
  - NEUTRAL LUG ACCEPTS (4) #8 - #2 AWG CABLES.
  - GROUND LUG ACCEPTS (2) #2 - #14 AWG CABLES.
  - MECHANICAL LUGS USED FOR THE UTILITY INPUT & THE OUTPUT TO LOAD ACCEPT (1) #6 - 2/0 AWG WIRE PER PHASE.
  - THIS DRAWING IS TO BE USED FOR ELECTRICAL PURPOSES ONLY AND DOES NOT REPRESENT THE ACTUAL MECHANICAL LAYOUT OF THE EQUIPMENT.

90888 SERIES WALL MOUNT MAINTENANCE BYPASS PANEL			
10A-100A, 120V/208V, 3Ø/4W/G, 3 BREAKER			
DIMENSIONS ARE IN INCHES		INITIALS	DATE
TOLERANCES:		DRAWN	2/18/2014
DECIMALS: .XX ±.13	ANGLES: ±1°	PC	
.XXX ±.062		CHECKED	2/20/2014
MATERIAL: SEE NOTES SHEET 1			
FINISH: SEE NOTES SHEET 1			
CAD GENERATED DRAWING DO NOT MANUALLY UPDATE			
SCALE: NTS	SIZE: A	REV: 3	SHEET 2 OF 2

THE INFORMATION CONTAINED IN THIS DRAWING IS THE SOLE PROPERTY OF C&C POWER, INC. ANY REPRODUCTION WITHOUT THE WRITTEN CONSENT OF C&C POWER, INC IS PROHIBITED.

**C&C POWER**  
ENGINEERED POWER PRODUCTS  
WWW.CCPOWER.COM

© 2014 C&C POWER, INC.  
ALL RIGHTS RESERVED

DRAWING #: 90888-208-SD01-2-REV 3