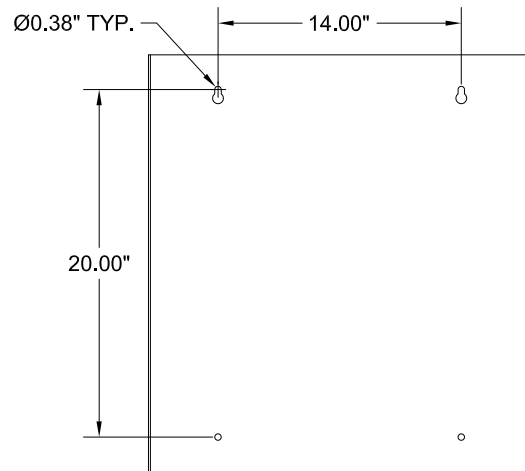
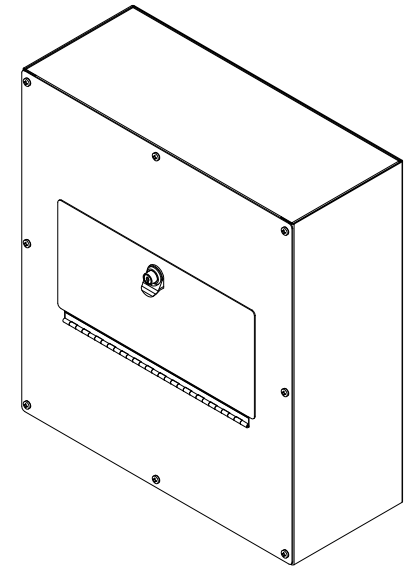
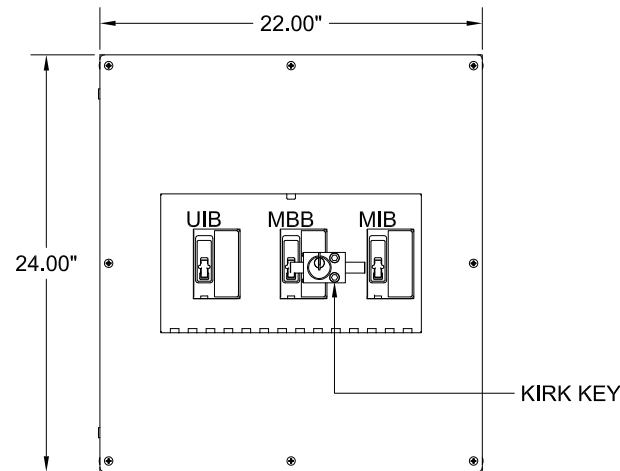


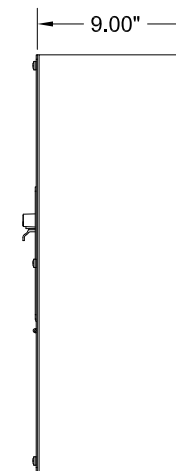
TOP VIEW



REAR VIEW



FRONT VIEW
(DOOR REMOVED)



RIGHT SIDE VIEW

NOTES:

1. APPROXIMATE WEIGHT: 50 LBS
2. ASSEMBLY IS UL/CUL LISTED TO UL 891 AND C22.2 NO. 244.
3. NEMA 1 WALL MOUNT ENCLOSURE.
4. THE BOX & TRIM ARE CONSTRUCTED OF GALVANIZED STEEL.
5. THE TRIM FINISH IS POWDER COATED ON ALL EXTERNAL AND VISIBLE SURFACES, BOX AND ALL INTERNAL MOUNT BRACKETS ARE GALVANIZED FINISH.
6. THE PANEL IS PROVIDED WITH A KEY LOCKING PUSH TO CLOSE LATCH ON THE ACCESS COVER.
7. THE PANEL IS TO BE MOUNTED THROUGH THE Ø0.375" HOLES IN THE BACK OF THE ENCLOSURE.

90885 SERIES MAINTENANCE BYPASS BREAKER PANEL			
15-225A, 120V/240V, 1Ø 2W OR 3W, 3 BREAKER			
INTERLOCK CONFIGURATION 13			
THE INFORMATION CONTAINED IN THIS DRAWING IS THE SOLE PROPERTY OF C&C POWER, INC. ANY REPRODUCTION WITHOUT THE WRITTEN CONSENT OF C&C POWER, INC IS PROHIBITED.			
DIMENSIONS ARE IN INCHES		INITIALS	DATE
TOLERANCES:		DRAWN	ABB
DECIMALS: .XX ±.13	ANGLES: ±1°	CHECKED	ABB
.XXX ±.082			4/16/2019
SCALE: NTS	SIZE: A	REV: 1	SHEET 1 OF 2

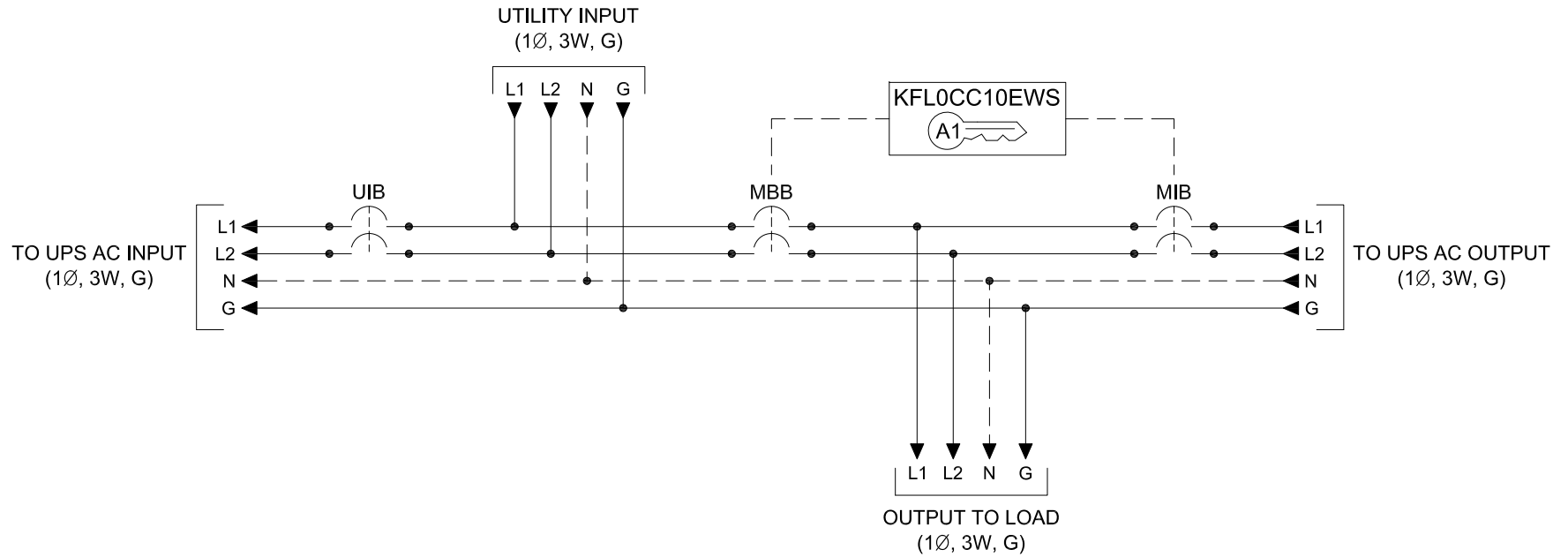
C&C POWER
ENGINEERED POWER PRODUCTS
 WWW.CCPower.COM
 © 2019 C&C POWER, INC.
 ALL RIGHTS RESERVED

CIRCUIT BREAKER OPTIONS

TRIP SIZE	TRIP TYPE	AIC @ 240V
15-100A	TMAG (80%)	18K OR 65K
110-225A	TMAG (80%)	22K OR 65K

CIRCUIT BREAKER TERMINAL INFO

TRIP SIZE	WIRE RANGE
15-100A	(1) 14 - 1/0
110-225A	(1) 4 - 4/0



NOTES:

- "UIB" UPS INPUT BREAKER
- "MBB" MAINTENANCE BYPASS BREAKER
- "MIB" MAINTENANCE ISOLATION BREAKER
- OPTIONAL 450A RATED NEUTRAL BUS PROVIDED WITH MECHANICAL LUGS THAT ACCEPT A TOTAL OF (4) #6 - 350 MCM CABLES.
- GROUND LUG ACCEPTS (3) #6 - 350 MCM CABLES.
- MECHANICAL LUGS USED FOR THE UTILITY INPUT & THE OUTPUT TO LOAD HAVE THE SAME WIRE RANGE AS THE CIRCUIT BREAKERS.
- THIS DRAWING IS TO BE USED FOR ELECTRICAL PURPOSES ONLY AND DOES NOT REPRESENT THE ACTUAL MECHANICAL LAYOUT OF THE EQUIPMENT.

90885 SERIES MAINTENANCE BYPASS BREAKER PANEL			
15-225A, 120V/240V, 1Ø 2W OR 3W, 3 BREAKER			
INTERLOCK CONFIGURATION 13			
THE INFORMATION CONTAINED IN THIS DRAWING IS THE SOLE PROPERTY OF C&C POWER, INC. ANY REPRODUCTION WITHOUT THE WRITTEN CONSENT OF C&C POWER, INC IS PROHIBITED.			
DIMENSIONS ARE IN INCHES		INITIALS	DATE
TOLERANCES:		DRAWN	ABB
DECIMALS: .XX ±.13	ANGLES: ±1°	CHECKED	ABB
.XXX ±.082			4/16/2019
SCALE: NTS	SIZE: A	REV: 1	SHEET 2 OF 2

C&C POWER
ENGINEERED POWER PRODUCTS
 WWW.CCPOWER.COM
 © 2019 C&C POWER, INC.
 ALL RIGHTS RESERVED