

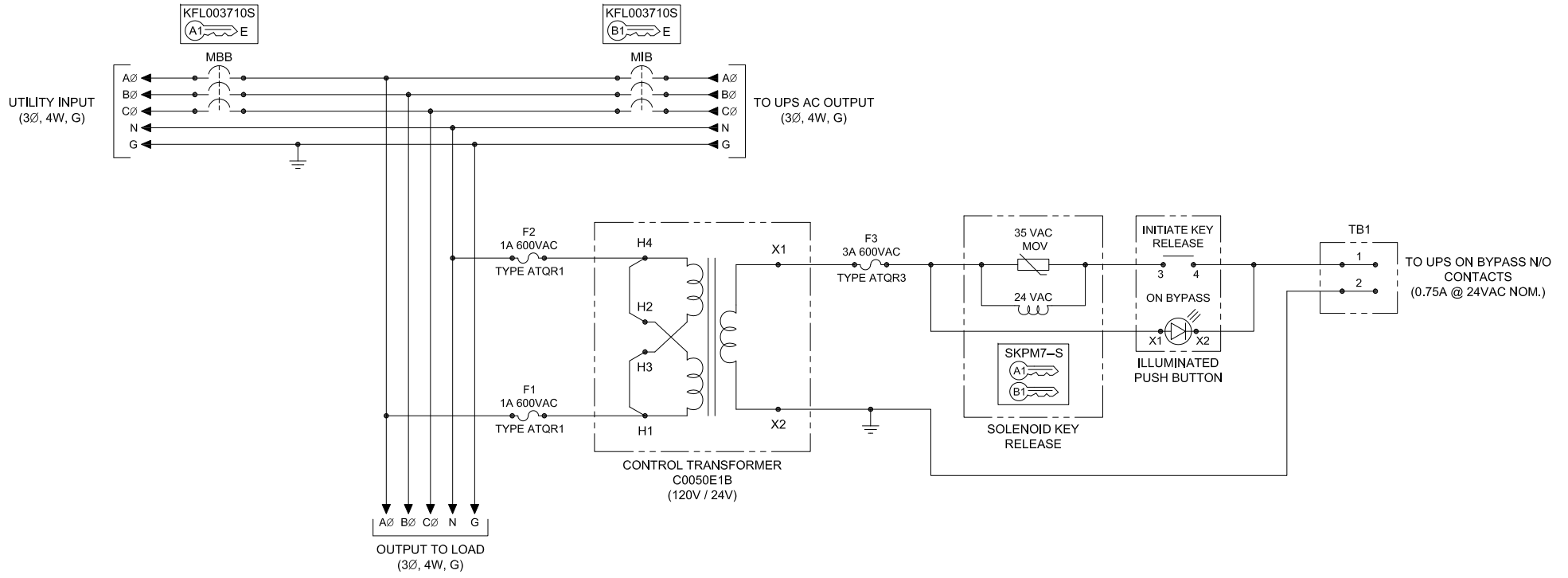
NOTES:

1. APPROXIMATE WEIGHT: 140 LBS.
2. ASSEMBLY IS UL/CUL LISTED TO UL 891 AND C22.2 NO. 244.
3. NEMA 1 WALL MOUNT ENCLOSURE.
4. THE BOX AND TRIM ARE CONSTRUCTED OF GALVANIZED STEEL.
5. THE TRIM FINISH IS POWDER COATED ON ALL EXTERNAL AND VISIBLE SURFACES, BOX AND ALL INTERNAL MOUNT BRACKETS ARE GALVANIZED FINISH.
6. THE CABINET IS TO BE MOUNTED THROUGH Ø0.531" HOLES IN THE BACK OF THE ENCLOSURE.

90882 SERIES MAINTENANCE BYPASS BREAKER PANEL			
450A-600A, 120V/208V, 3Ø/4W/G, 2 BREAKER WITH SKRU			
INTERLOCK CONFIGURATION 44			
THE INFORMATION CONTAINED IN THIS DRAWING IS THE SOLE PROPERTY OF C&C POWER, INC. ANY REPRODUCTION WITHOUT THE WRITTEN CONSENT OF C&C POWER, INC IS PROHIBITED.			
DIMENSIONS ARE IN INCHES		INITIALS	DATE
TOLERANCES:	DECIMALS:	DRAWN	ABB
ANGLES:	±1"	CHECKED	ABB
JXX ±.13		08/28/2018	
.XXX ±.082		08/28/2018	
SCALE:	SEE: A	REV:	1
NTS		SHEET 1 OF 2	
 <b>C&amp;C POWER</b> ENGINEERED POWER PRODUCTS WWW.CCPOWER.COM		© 2018 C&C POWER, INC.	
		ALL RIGHTS RESERVED	

CIRCUIT BREAKER OPTIONS		
TRIP SIZE	TRIP TYPE	AIC
450A	TMAG (80%)	65K
500A	TMAG (80%)	65K
600A	TMAG (80%)	65K
450-600A (ADJUSTABLE)	LS, LSI, ALSI (80% OR 100%)	35K OR 65K

CIRCUIT BREAKER TERMINAL INFO	
TRIP SIZE	WIRE RANGE
450A	(2) 4 - 4/0
500A	(2) 3/0 - 350
600A	(2) 400 - 500



**NOTES:**

- "MBB" MAINTENANCE BYPASS BREAKER
- "MIB" MAINTENANCE ISOLATION BREAKER
- ALL INTERNAL CONNECTIONS BETWEEN "MBB" AND "MIB" ARE MADE USING COPPER BUS BARS
- 1000A RATED NEUTRAL BUS PROVIDED WITH MECHANICAL LUGS THAT ACCEPT A TOTAL OF (12) #6 - 350 MCM CABLES.
- GROUND LUG ACCEPTS (3) #6 - 350 MCM CABLES.
- MECHANICAL LUGS USED FOR THE UTILITY INPUT & THE OUTPUT LOAD HAVE THE SAME WIRE RANGE AS THE CIRCUIT BREAKERS.
- VOLTAGE BETWEEN THE AØ AND NEUTRAL MUST BE 120V±10% FOR THE SKRU CIRCUIT TO FUNCTION PROPERLY.
- THIS DRAWING IS TO BE USED FOR ELECTRICAL PURPOSES ONLY AND DOES NOT REPRESENT THE ACTUAL MECHANICAL LAYOUT OF THE EQUIPMENT.

**KIRK KEY NOTES:**

- THE "E" OR "W" NEXT TO THE INTERLOCK INDICATES THE POSITION OF THE INTERLOCK BOLT WHEN THE KEY IS REMOVABLE. "E" = EXTENDED AND "W" = WITHDRAWN.
- THE KEY OR KEYS NEXT TO THE INTERLOCK INDICATES THE KEY NUMBER THAT FUNCTIONS WITH THE INTERLOCK.

90882 SERIES MAINTENANCE BYPASS BREAKER PANEL		
450A-600A, 120V/208V, 3Ø/4W/G, 2 BREAKER WITH SKRU		
INTERLOCK CONFIGURATION 44		
THE INFORMATION CONTAINED IN THIS DRAWING IS THE SOLE PROPERTY OF C&C POWER, INC. ANY REPRODUCTION WITHOUT THE WRITTEN CONSENT OF C&C POWER, INC IS PROHIBITED.		
DIMENSIONS ARE IN INCHES	INITIALS	DATE
TOLERANCES:	DRAWN ABB	08/28/2018
DECIMALS: .XX ±.13	CHECKED ABB	08/28/2018
ANGLES: .XXX ±.082		
SCALE: SEE A	REV: 1	SHEET 2 OF 2
		© 2018 C&C POWER, INC. ALL RIGHTS RESERVED

DRAWING #: 90882-600-C44-SPH-BK-SD01-2 REV 1