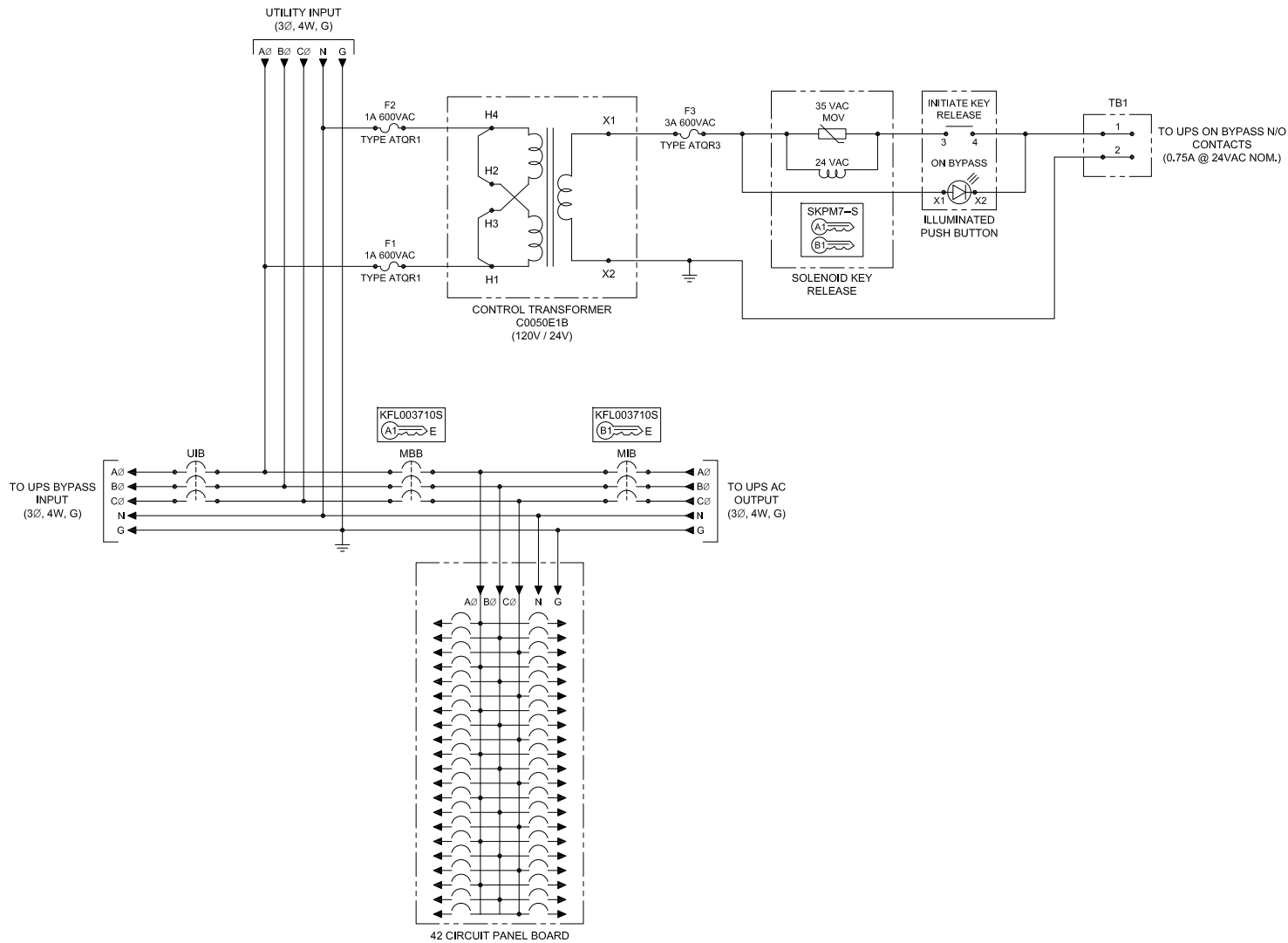


NOTES:

1. APPROXIMATE WEIGHT: 200 LBS.
2. ASSEMBLY IS UL/CUL LISTED TO UL 891 AND C22.2 NO. 244.
3. NEMA 1 WALL MOUNT ENCLOSURE.
4. THE BOX & TRIM ARE CONSTRUCTED OF GALVANIZED STEEL.
5. THE TRIM FINISH IS POWDER COATED ON ALL EXTERNAL AND VISIBLE SURFACES, BOX AND ALL INTERNAL MOUNT BRACKETS ARE GALVANIZED FINISH
6. THE CABINET IS TO BE MOUNTED THROUGH THE Ø0.531" HOLES IN THE BACK OF THE ENCLOSURE.
7. A MINIMUM CLEARANCE OF 36" IS REQUIRED AT THE FRONT OF THE CABINET.

90843 SERIES WALL MOUNT BYPASS WITH 42 CCT PANELBOARD			
15A-400A, 208Y/120V, 3PH/4W, 3 BREAKER BYPASS			
INTERLOCK CONFIGURATION 44			
THE INFORMATION CONTAINED IN THIS DRAWING IS THE SOLE PROPERTY OF C&C POWER, INC. ANY REPRODUCTION WITHOUT THE WRITTEN CONSENT OF C&C POWER, INC IS PROHIBITED.			
DIMENSIONS ARE IN INCHES		INITIALS	DATE
TOLERANCES:		DRAWN CH	4/24/2018
DECIMALS: .XX ±.13	ANGLES: ±1°	CHECKED CH	4/24/2018
.XXX ±.082			
SCALE: NTS	SIZ: A	REV: 1	SHEET 1 OF 2
		<b>C&amp;C POWER</b> ENGINEERED POWER PRODUCTS WWW.CCPOWER.COM © 2018 C&C POWER, INC. ALL RIGHTS RESERVED	



CIRCUIT BREAKER OPTIONS			
TRIP SIZE	TRIP TYPE	BREAKER AIC	EQUIPMENT AIC
15-100A	TMAG (80%)	18K @ 240VAC	10K @ 240VAC
110-225A	TMAG (80%)	22K @ 240VAC	
40-100A (ADJUSTABLE)	LI OR LSI (80% 210+)	65K @ 240VAC	
70-150A (ADJUSTABLE)	LI OR LSI (80% 210+)	65K @ 240VAC	
100-225A (ADJUSTABLE)	LI OR LSI (80% 210+)	65K @ 240VAC	
15-80A (ADJUSTABLE)	LS OR LSI (80% 310+)	65K @ 240VAC	
60-160A (ADJUSTABLE)	LS OR LSI (80% 310+)	65K @ 240VAC	
100-225A (ADJUSTABLE)	LS OR LSI (80% 310+)	65K @ 240VAC	
250A	TMAG (80%)	65K @ 240VAC	
300A	TMAG (80%)	65K @ 240VAC	
350A	TMAG (80%)	65K @ 240VAC	
400A	TMAG (80%)	65K @ 240VAC	
160-400A (ADJUSTABLE)	LS, LSI, ALSI (80% OR 100%)	65K @ 240VAC	

CIRCUIT BREAKER TERMINAL INFO	
TRIP SIZE	WIRE RANGE
15-100A	(1) 14 - 1/0
110-225A	(1) 4 - 4/0
250A	(1) 4 - 350
300-350A	(1) 250 - 500
400A	(2) 3/0 - 250

DRAWING #: 90843-C44-WM-SD01-2 REV 1

- NOTES:
- "UIB" UPS INPUT BREAKER
  - "MBB" MAINTENANCE BYPASS BREAKER
  - "MIB" MAINTENANCE ISOLATION BREAKER
  - ALL INTERNAL CONNECTIONS BETWEEN "UIB", "MBB" AND "MIB" ARE MADE USING COPPER BUS BARS.
  - 1000A RATED NEUTRAL BUS PROVIDED WITH MECHANICAL LUGS THAT ACCEPT A TOTAL OF (4) #6 - 350 MCM CABLES AND (42) #14 - #4 AWG CABLES.
  - GROUND LUG ACCEPTS (3) #6 - 350 MCM CABLES.
  - MECHANICAL LUGS USED FOR THE AØ, BØ, AND CØ ON THE UTILITY INPUT HAS THE SAME WIRE RANGE AS THE CIRCUIT BREAKERS.
  - VOLTAGE BETWEEN THE AØ AND NEUTRAL MUST BE 120V±10% FOR THE SKRU CIRCUIT TO FUNCTION PROPERLY.
  - PANELBOARD IS EATON PRL1A TYPE 120V/208V, 3PH/4W, 42 CIRCUIT. 225A PANEL PROVIDED FOR BYPASS ASSEMBLIES RATED FROM 15A-225A & 400A PANEL PROVIDED FOR BYPASS ASSEMBLIES RATED 250A-400A.
  - GROUND AND NEUTRAL LANDINGS ARE PROVIDED FOR ALL PANELBOARD CIRCUITS.
  - THIS DRAWING IS TO BE USED FOR ELECTRICAL PURPOSES ONLY AND DOES NOT REPRESENT THE ACTUAL MECHANICAL LAYOUT OF THE EQUIPMENT.

- KIRK KEY NOTES:
- THE "E" OR "W" NEXT TO THE INTERLOCK INDICATES THE POSITION OF THE INTERLOCK BOLT WHEN THE KEY IS REMOVABLE. "E" = EXTENDED AND "W" = WITHDRAWN.
  - THE KEY OR KEYS NEXT TO THE INTERLOCK INDICATES THE KEY NUMBER THAT FUNCTIONS WITH THE INTERLOCK.

90843 SERIES WALL MOUNT BYPASS WITH 42 CCT PANELBOARD  
 15A-400A, 208Y/120V, 3PH/4W, 3 BREAKER BYPASS  
 INTERLOCK CONFIGURATION 44

THE INFORMATION CONTAINED IN THIS DRAWING IS THE SOLE PROPERTY OF C&C POWER, INC. ANY REPRODUCTION WITHOUT THE WRITTEN CONSENT OF C&C POWER, INC IS PROHIBITED.

DIMENSIONS ARE IN INCHES	INITIALS	DATE
TOLERANCES: DECIMALS: .XX ±.13 ANGLES: .XXX ±.082	DRAWN CH	4/24/2018
	CHECKED CH	4/24/2018

SCALE: SEE A REV: 1 SHEET 2 OF 2

**C&C POWER**  
 ENGINEERED POWER PRODUCTS  
 WWW.CCPOWER.COM  
 © 2018 C&C POWER, INC.  
 ALL RIGHTS RESERVED