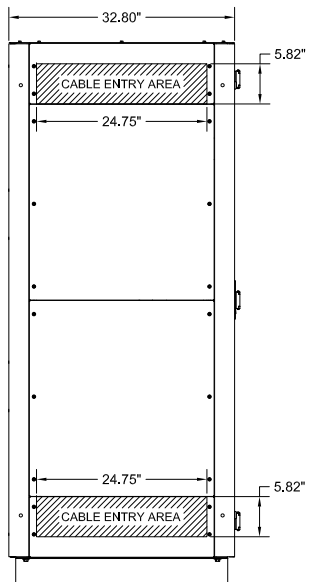
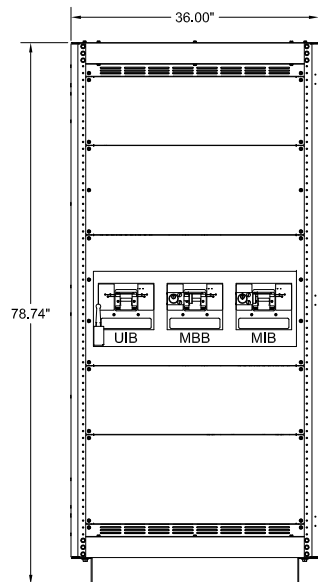


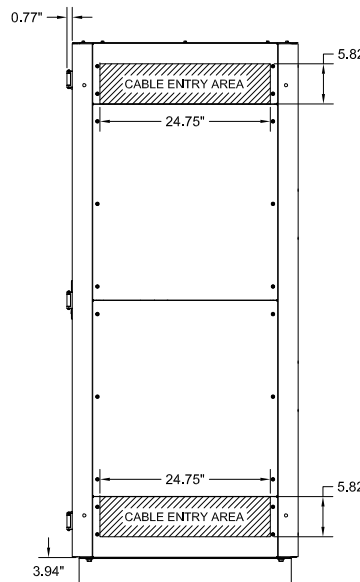
TOP VIEW



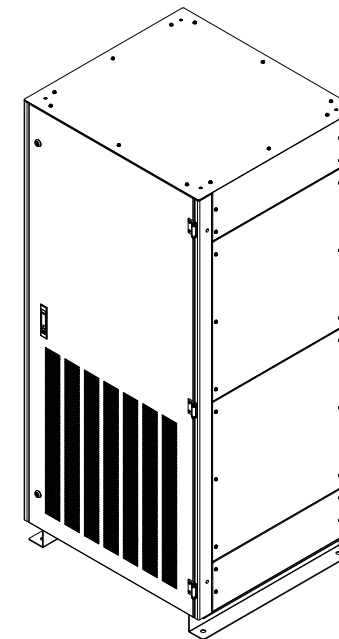
LEFT SIDE VIEW



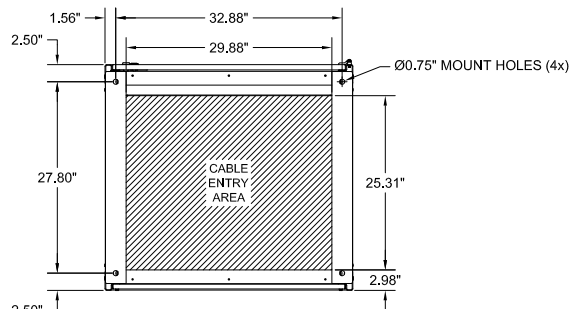
FRONT VIEW
(DOOR REMOVED)



RIGHT SIDE VIEW



ISOMETRIC VIEW



BOTTOM VIEW

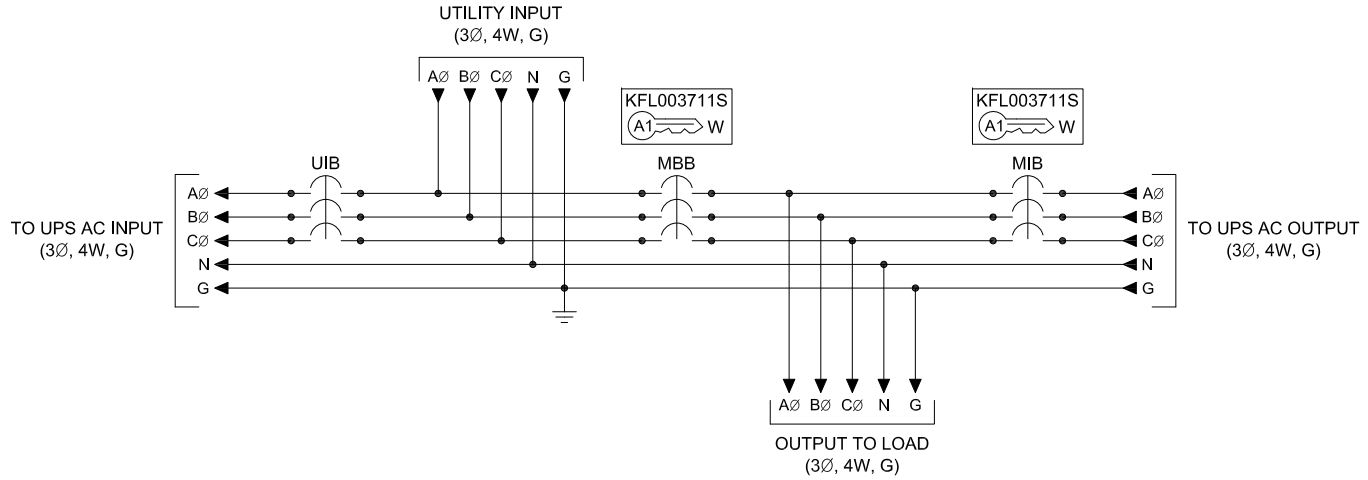
NOTES:

1. APPROXIMATE WEIGHT: 775 LBS.
2. ASSEMBLY IS UL/CUL LISTED TO UL 891 AND C22.2 NO. 244.
3. NEMA 1 TYPE ENCLOSURE
4. THE CABINET IS CONSTRUCTED FROM GALVANIZED STEEL.
5. THE CABINET IS TO BE MOUNTED THROUGH THE 0.750" HOLES IN THE CABINET LEGS. THE LEGS ARE FORMED FROM 10 GAUGE STEEL.
6. FINISH IS POWDER COAT ON ALL EXTERNAL AND VISIBLE SURFACES, INTERIOR PANELS AND MOUNT BRACKETS ARE GALVANIZED FINISH.
7. CABINET LEGS ARE REVERSIBLE FOR EASY ACCESS TO CABINET FLOOR MOUNTING HARDWARE.

90826 SERIES MAINTENANCE BYPASS BREAKER CABINET			
700A-1200A, 277V/480V, 3Ø/4W/G, 3 BREAKER			
INTERLOCK CONFIGURATION 2			
THE INFORMATION CONTAINED IN THIS DRAWING IS THE SOLE PROPERTY OF C&C POWER, INC. ANY REPRODUCTION WITHOUT THE WRITTEN CONSENT OF C&C POWER, INC IS PROHIBITED.			
DIMENSIONS ARE IN INCHES		INITIALS	DATE
TOLERANCES:		DRAWN	PJC
DECIMALS:	ANGLES:	CHECKED	CH
.XX ±.13	±1°		10/11/2012
.XXX ±.082			
SCALE:	SIZE:	REV:	
NTS	A	4	
SHEET 1 OF 2			<p>C&C POWER ENGINEERED POWER PRODUCTS WWW.CCPOWER.COM</p> <p>© 2017 C&C POWER, INC. ALL RIGHTS RESERVED</p>

CIRCUIT BREAKER OPTIONS		
TRIP SIZE	TRIP TYPE	AIC
700A	TMAG (80%)	50K OR 65K
800A	TMAG (80%)	50K OR 65K
320-800A (ADJUSTABLE)	LS, LSI, LSIG, ALSI, ALSIG (80% OR 100%)	50K OR 65K
500-1200A (ADJUSTABLE)	LS, LSI, LSIG, ALSI, ALSIG (80% OR 100%)	50K OR 65K

CIRCUIT BREAKER TERMINAL INFO	
TRIP SIZE	WIRE RANGE
700A	(2) 1 - 500
800A	(3) 3/0 - 400
1000A	(3) 3/0 - 400
1200A	(3) 500 - 750



NOTES:

- "UIB" UPS INPUT BREAKER
- "MBB" MAINTENANCE BYPASS BREAKER
- "MIB" MAINTENANCE ISOLATION BREAKER
- ALL INTERNAL CONNECTIONS BETWEEN "UIB", "MBB" AND "MIB" ARE MADE USING COPPER BUS BARS
- MAXIMUM 2500A RATED NEUTRAL BUS PROVIDED WITH MECHANICAL LUGS THAT ACCEPT A TOTAL OF (20) 1/0 - 750 MCM CABLES OR MINIMUM 1500A RATED NEUTRAL BUS PROVIDED WITH MECHANICAL LUGS THAT ACCEPT A TOTAL OF (12) #2 - 600 MCM CABLES.
- GROUND LUG ACCEPTS (4) #6 - 250 MCM CABLES.
- MECHANICAL LUGS USED FOR THE UTILITY INPUT & THE OUTPUT LOAD HAVE THE SAME WIRE RANGE AS THE CIRCUIT BREAKERS.
- THIS DRAWING IS TO BE USED FOR ELECTRICAL PURPOSES ONLY AND DOES NOT REPRESENT THE ACTUAL MECHANICAL LAYOUT OF THE EQUIPMENT.

KIRK KEY NOTES:

- THE "E" OR "W" NEXT TO THE INTERLOCK INDICATES THE POSITION OF THE INTERLOCK BOLT WHEN THE KEY IS REMOVABLE. "E" = EXTENDED AND "W" = WITHDRAWN.
- THE KEY OR KEYS NEXT TO THE INTERLOCK INDICATES THE KEY NUMBER THAT FUNCTIONS WITH THE INTERLOCK.

90826 SERIES MAINTENANCE BYPASS BREAKER CABINET			
700A-1200A, 277V/480V, 3Ø/4W/G, 3 BREAKER			
INTERLOCK CONFIGURATION 2			
THE INFORMATION CONTAINED IN THIS DRAWING IS THE SOLE PROPERTY OF C&C POWER, INC. ANY REPRODUCTION WITHOUT THE WRITTEN CONSENT OF C&C POWER, INC IS PROHIBITED.			
DIMENSIONS ARE IN INCHES		INITIALS	DATE
TOLERANCES:		DRAWN	PC
DECIMALS: .XX ±.13	ANGLES: ±1°	CHECKED	CH
.XXX ±.062			7/15/2013
SCALE: NTS	SIZE: A	REV: 5	SHEET 2 OF 2

C&C POWER
ENGINEERED POWER PRODUCTS
 WWW.CCPOWER.COM

© 2017 C&C POWER, INC.
 ALL RIGHTS RESERVED

DRAWING #: 90826-C2-480-SD01-2 REV 5