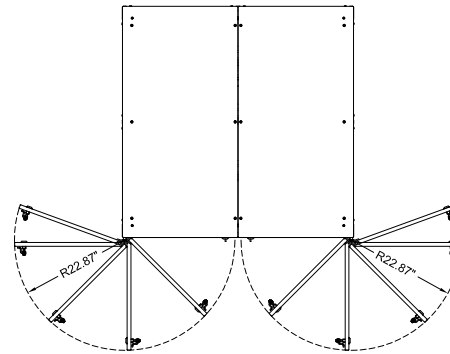
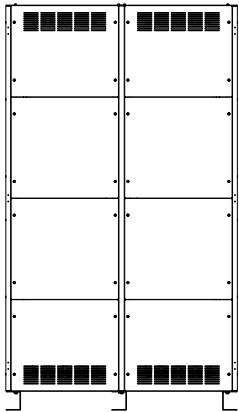


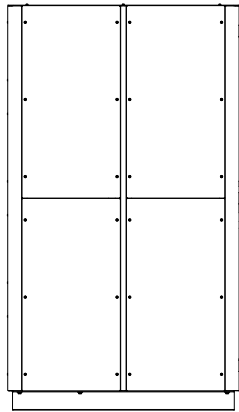
TOP VIEW



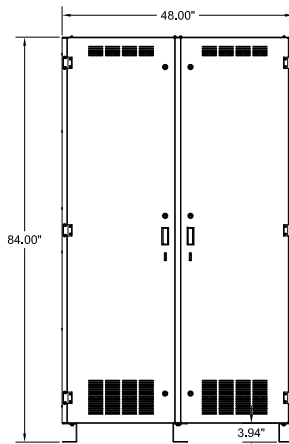
TOP VIEW
(WITH DOOR SWING)



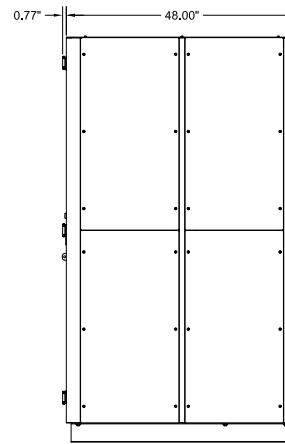
REAR VIEW



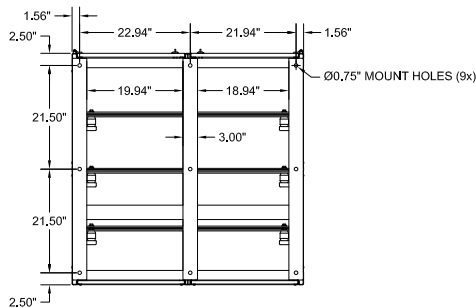
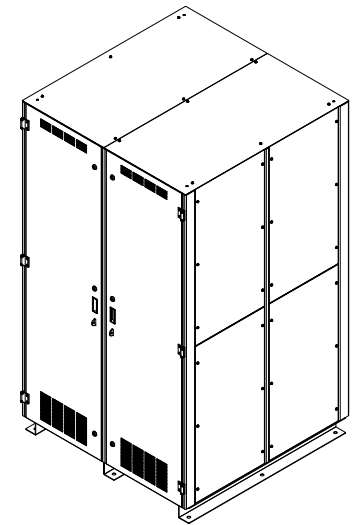
LEFT SIDE VIEW



FRONT VIEW



RIGHT SIDE VIEW

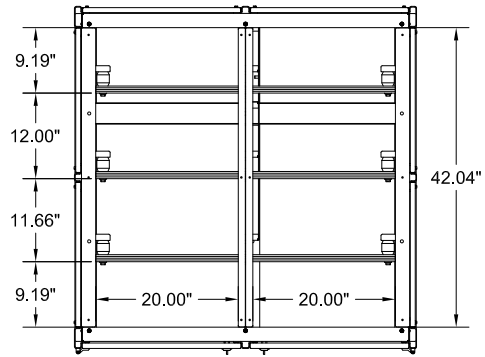


BOTTOM VIEW

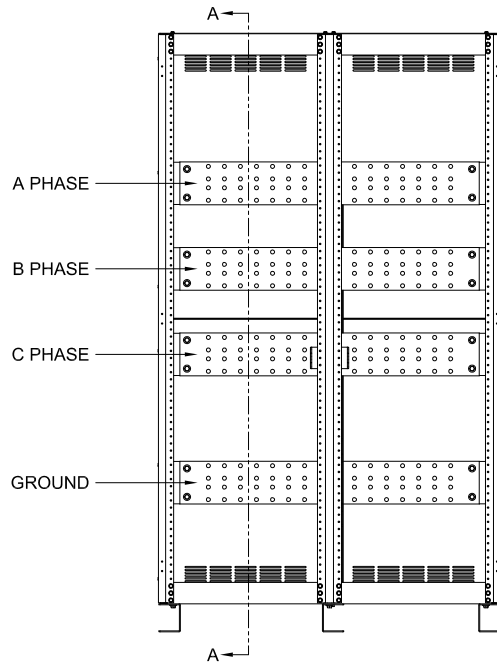
- NOTES:
APPROXIMATE WEIGHT: 875 LBS.
1. NEMA 1 TYPE ENCLOSURE.
 2. BUILT TO MEET UL 50 STANDARDS.
 3. HEAVY GAUGE STEEL CONSTRUCTION.
 4. AVAILABLE IN MULTIPLE COLORS OF DURABLE CHIP AND CORROSION RESISTANT POWDER COAT FINISH.
 5. ALL EXTERNAL AND VISIBLE SURFACES ARE POWDER COAT FINISH. INTERIOR PANELS AND MOUNT BRACKETS ARE GALVANIZED FINISH.
 6. CABINET DOORS OPEN PAST 180 DEGREES FOR EASY ACCESS TO INTERNAL CONNECTIONS.
 7. CABINET DOORS ARE SUPPLIED WITH THREE POINT COMPRESSION LATCH HARDWARE AND HEAVY DUTY 3/16" STAINLESS STEEL PAD LOCK BRACKETS.
 8. SUPPLIED WITH REMOVABLE SIDE AND REAR COVERS FOR EASY ACCESS TO INTERNAL CONNECTIONS.
 9. SUPPLIED WITH 2 PIECE 16 GAUGE TOP COVERS FOR EASY REMOVAL AND CONVENIENT INSTALLATION OF CONDUIT.
 10. CABINET LEGS ARE REVERSIBLE TO ALLOW ACCESS TO FLOOR MOUNTING HARDWARE IF DIRECTLY ADJACENT TO OTHER EQUIPMENT. CABINET MOUNT HOLE CENTERS STAY THE SAME WITH LEGS REVERSED.
 11. CABINET IS TO BE MOVED WITH PALLET JACK OR FORK LIFT AT PALLET JACK ACCESS POINTS LOCATED AT THE FRONT OR REAR OF THE CABINET.

90824 SERIES LANDING CABINET			
6000A 3 PHASE 3 WIRE CONFIGURATION			
--			
DIMENSIONS ARE IN INCHES	INITIALS	DATE	THE INFORMATION CONTAINED IN THIS DRAWING IS THE SOLE PROPERTY OF C&C POWER, INC. ANY REPRODUCTION WITHOUT THE WRITTEN CONSENT OF C&C POWER, INC IS PROHIBITED.
TOLERANCES:	DRAWN CH	10/1/2010	
DECIMALS: .XX ±.13 .XXX ±.062	ANGLES: ±1°	CHECKED --	
MATERIAL: SEE NOTES			
FINISH: SEE NOTES			
CAD GENERATED DRAWING DO NOT MANUALLY UPDATE			
SCALE: SEE NOTES	REV: 1	SHEET 1 OF 2	

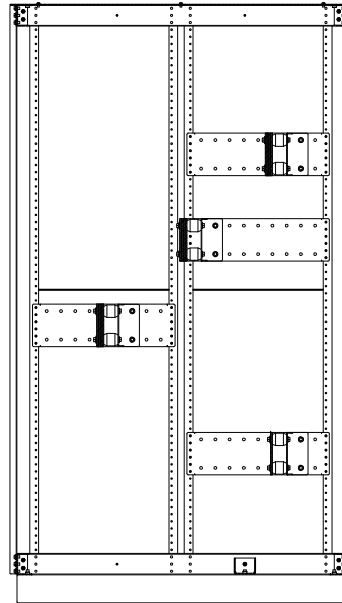
C&C POWER
ENGINEERED POWER PRODUCTS
949 N. Larch Ave. - Elmhurst, IL 60126
© 2010 C&C POWER, INC.
ALL RIGHTS RESERVED



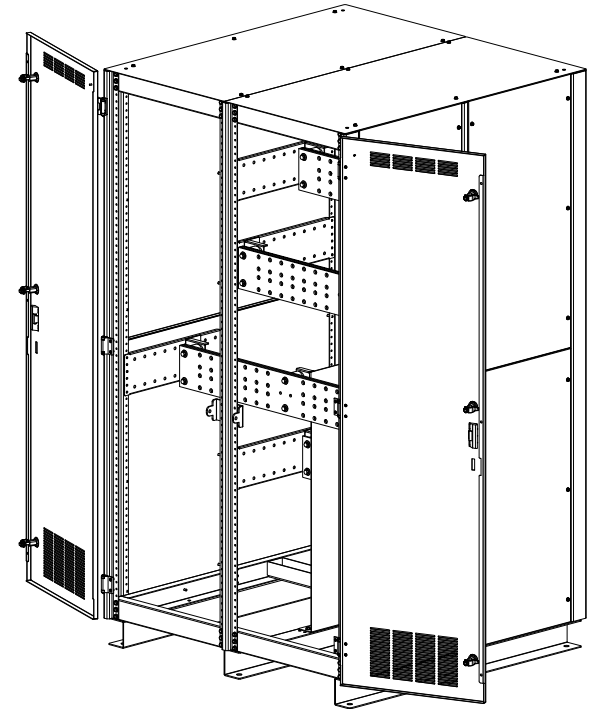
TOP VIEW
(COVERS REMOVED)



FRONT VIEW
(DOORS REMOVED)



SECTION A-A



NOTES:

1. COPPER BUS BAR AVAILABLE FOR APPLICATIONS UP TO 6000 AMPS.
2. BUS BARS ARE PROVIDED WITH (28) TWO HOLE LANDINGS ON 1-3/4" CENTERS TO ACCEPT Ø1/2" BOLTS. LANDINGS WILL ACCEPT COMPRESSION LUGS WITH A MAXIMUM TANG WIDTH OF 2-1/4".
3. ALL TWO HOLE LANDINGS ARE CAPABLE OF ACCEPTING UP TO (2) TWO HOLE LUGS IN BACK TO BACK CONFIGURATION.

90824 SERIES LANDING CABINET			
6000A 3 PHASE 3 WIRE CONFIGURATION			
--			
DIMENSIONS ARE IN INCHES	INITIALS	DATE	THE INFORMATION CONTAINED IN THIS DRAWING IS THE SOLE PROPERTY OF C&C POWER, INC. ANY REPRODUCTION WITHOUT THE WRITTEN CONSENT OF C&C POWER, INC IS PROHIBITED.
TOLERANCES:	DRAWN CH	10/1/2010	
DECIMALS: .XX ±.13 .XXX ±.062	ANGLES: ±1"	CHECKED -- --/--	
MATERIAL: SEE NOTES			
FINISH: SEE NOTES			
CAD GENERATED DRAWING DO NOT MANUALLY UPDATE			
SCALE: SEE NOTES	REV: 1	SHEET 2 OF 2	
			C&C POWER ENGINEERED POWER PRODUCTS 949 N. Larch Ave. - Elmhurst, IL 60126 © 2010 C&C POWER, INC. ALL RIGHTS RESERVED