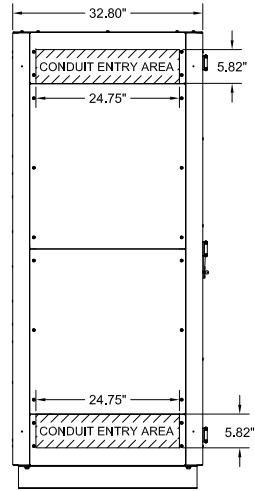
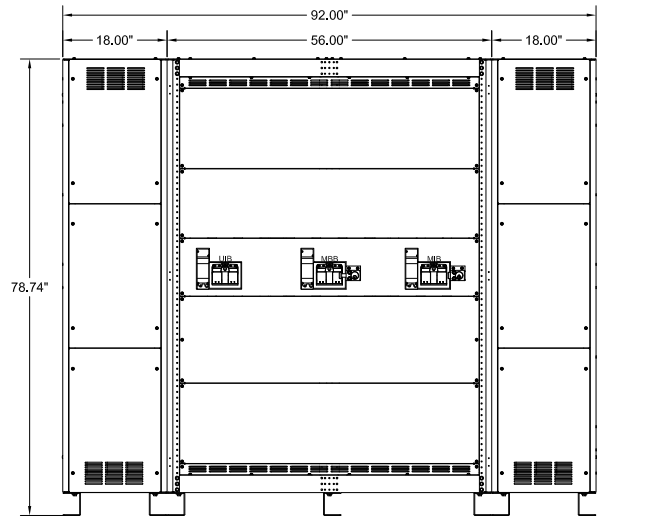


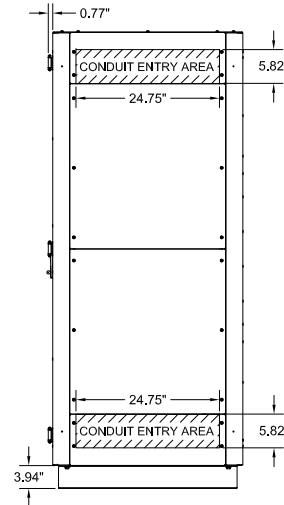
TOP VIEW



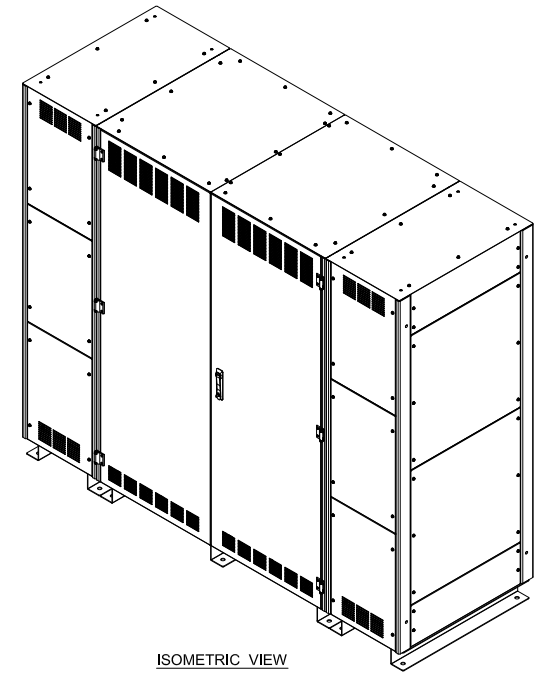
LEFT SIDE VIEW



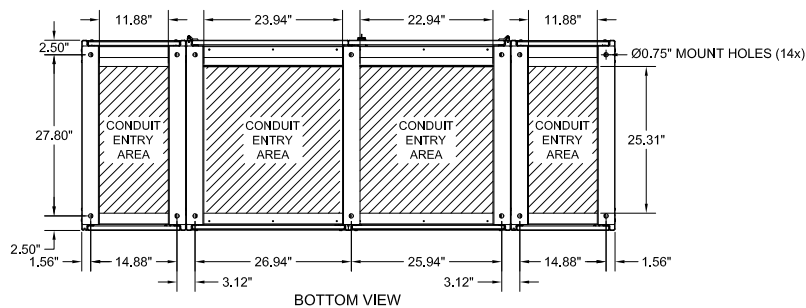
OPTIONAL***
(CABLE RACEWAY CABINET) FRONT VIEW
(DOORS REMOVED) OPTIONAL***
(CABLE RACEWAY CABINET)



RIGHT SIDE VIEW



ISOMETRIC VIEW



BOTTOM VIEW

- ***OPTIONAL CABLE RACEWAY CABINET:
- PROVIDED (BY DEFAULT) FOR SYSTEMS WITH 2000-2500A LAYOUTS
 - PROVIDED ONLY PER CUSTOMER REQUEST FOR 1600A LAYOUTS, OTHERWISE NOT PROVIDED.

- NOTE:
- RACEWAYS SHIP WITH NO SIDE COVERS. SIDE COVERS ON BYPASS CABINET ARE TO BE TRANSFERRED FROM THE BYPASS (AS REQUIRED) TO THE SIDES OF THE CABLE RACEWAY(S) DURING INSTALLATION.
 - BOLT TOGETHER ASSEMBLY HARDWARE IS PROVIDED.

NOTES:

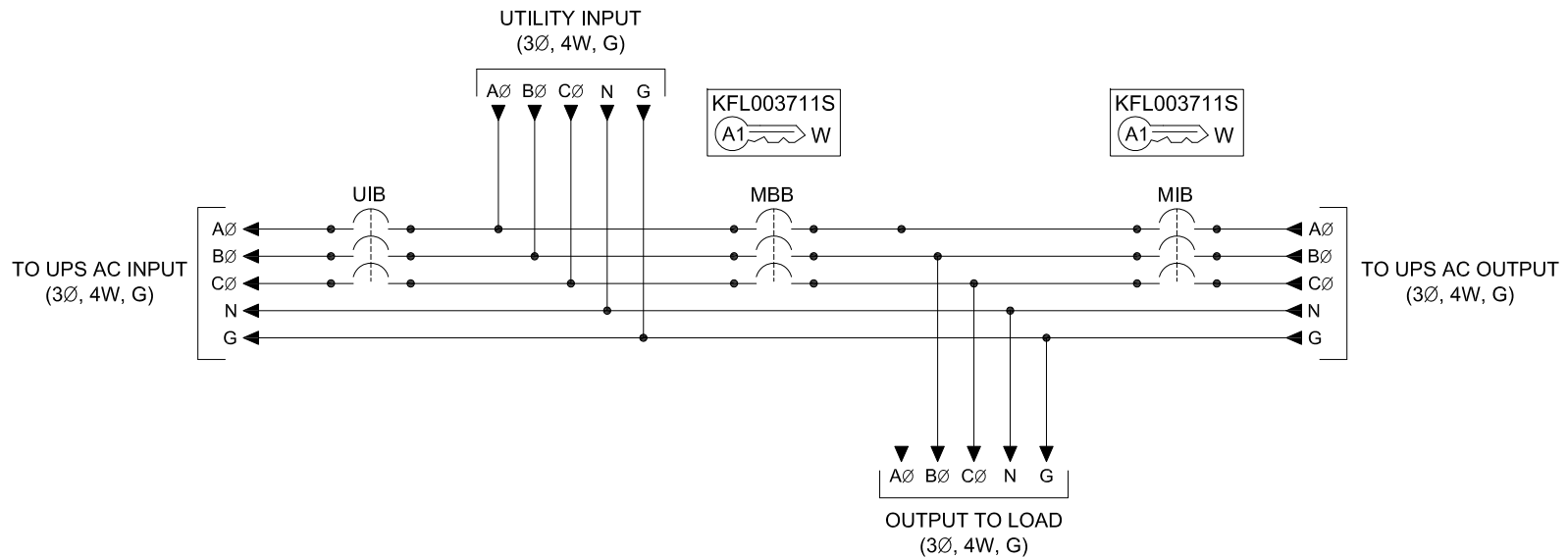
- APPROXIMATE WEIGHTS:
 -1600A ASSEMBLY: 1300 LBS (WITHOUT OPTIONAL CABLE RACEWAY CABINETS)
 -2000A AND 2500A ASSEMBLY: 1400 LBS (WITHOUT OPTIONAL CABLE RACEWAY CABINETS)
- ASSEMBLY IS UL/CUL LISTED TO UL 891 AND C22.2 NO. 244.
- NEMA 1 TYPE ENCLOSURE.
- THE CABINET IS CONSTRUCTED FROM GALVANIZED STEEL.
- THE CABINET IS TO BE MOUNTED THROUGH THE 0.750\"/>

90817 SERIES MAINTENANCE BYPASS BREAKER CABINET			
1600-2500A, 277V/480V, 3Ø/4W/G, 3 BREAKER			
INTERLOCK CONFIGURATION 2			
THE INFORMATION CONTAINED IN THIS DRAWING IS THE SOLE PROPERTY OF C&C POWER, INC. ANY REPRODUCTION WITHOUT THE WRITTEN CONSENT OF C&C POWER, INC IS PROHIBITED.		C&C POWER ENGINEERED POWER PRODUCTS WWW.CCPower.COM	
DIMENSIONS ARE IN INCHES	INITIALS	DATE	
TOLERANCES:	DRAWN ABB	12/05/2016	
DECIMALS: .XX ±.13	CHECKED CH	12/05/2016	
ANGLES: .XXX ±.082			
SCALE: NTS	SIZE: A	REV: 3	SHEET 1 OF 2
		© 2016 C&C POWER, INC. ALL RIGHTS RESERVED	

DRAWING #: 90817-C2-SD01-1 REV 3

CIRCUIT BREAKER SUMMARY

BREAKER TYPE	BREAKER MODEL	TRIP	AIC
SQUARE D POWERPACT	RJF36160U31A	1600A	65K @ 480VAC
	RJF36160CU31A	1600A (100% RATED)	
	RJF36200U31A	2000A	
	RJF36200CU31A	2000A (100% RATED)	
	RJF36250U31A	2500A	
	RJF36250CU31A	2500A (100% RATED)	



NOTES:

- "UIB" UPS INPUT BREAKER
- "MBB" MAINTENANCE BYPASS BREAKER
- "MIB" MAINTENANCE ISOLATION BREAKER
- ALL INTERNAL CONNECTIONS BETWEEN "UIB", "MBB" AND "MIB" ARE MADE USING COPPER BUS BARS.
- 1600A BYPASS ASSEMBLIES CONTAIN A 1600A RATED NEUTRAL BUS PROVIDED WITH MECHANICAL LUGS THAT ACCEPT A TOTAL OF (24) #2 - 600 MCM CABLES. 2000A-2500A BYPASS ASSEMBLIES CONTAIN A 2500A RATED NEUTRAL BUS PROVIDED WITH MECHANICAL LUGS THAT ACCEPT A TOTAL OF (24) #2 - 600 MCM CABLES.
- 1600A BYPASS ASSEMBLY UTILITY INPUT, TO UPS AC INPUT, TO UPS AC OUTPUT, & OUTPUT TO LOAD LUGS ACCEPT (4) #4 - 600 MCM CABLES PER POLARITY. 2000-2500A BYPASS ASSEMBLY UTILITY INPUT, TO UPS AC INPUT, TO UPS AC OUTPUT, & OUTPUT TO LOAD LUGS ACCEPT (8) #4 - 600 MCM CABLES PER POLARITY.
- GROUND LUG ACCEPTS (8) #6 - 350 MCM CABLES.
- THIS DRAWING IS TO BE USED FOR ELECTRICAL PURPOSES ONLY AND DOES NOT REPRESENT THE ACTUAL MECHANICAL LAYOUT OF THE EQUIPMENT.

KIRK KEY NOTES:

- THE "E" OR "W" NEXT TO THE INTERLOCK INDICATES THE POSITION OF THE INTERLOCK BOLT WHEN THE KEY IS REMOVABLE. "E" = EXTENDED AND "W" = WITHDRAWN.
- THE KEY OR KEYS NEXT TO THE INTERLOCK INDICATES THE KEY NUMBER THAT FUNCTIONS WITH THE INTERLOCK.

90817 SERIES MAINTENANCE BYPASS BREAKER CABINET		
1600-2500A, 277V/480V, 3Ø/4W/G, 3 BREAKER		
INTERLOCK CONFIGURATION 2		
THE INFORMATION CONTAINED IN THIS DRAWING IS THE SOLE PROPERTY OF C&C POWER, INC. ANY REPRODUCTION WITHOUT THE WRITTEN CONSENT OF C&C POWER, INC IS PROHIBITED.		
DIMENSIONS ARE IN INCHES	INITIALS	DATE
TOLERANCES:	DRAWN	9/12/2016
DECIMALS: .XX ±.13	ABB	
ANGLES: .XXX ±.082	CHECKED	9/12/2016
SCALE: SEE A	REV: 1	
NTS		SHEET 2 OF 2

C&C POWER
ENGINEERED POWER PRODUCTS
 WWW.CCPOWER.COM
 © 2016 C&C POWER, INC.
 ALL RIGHTS RESERVED