

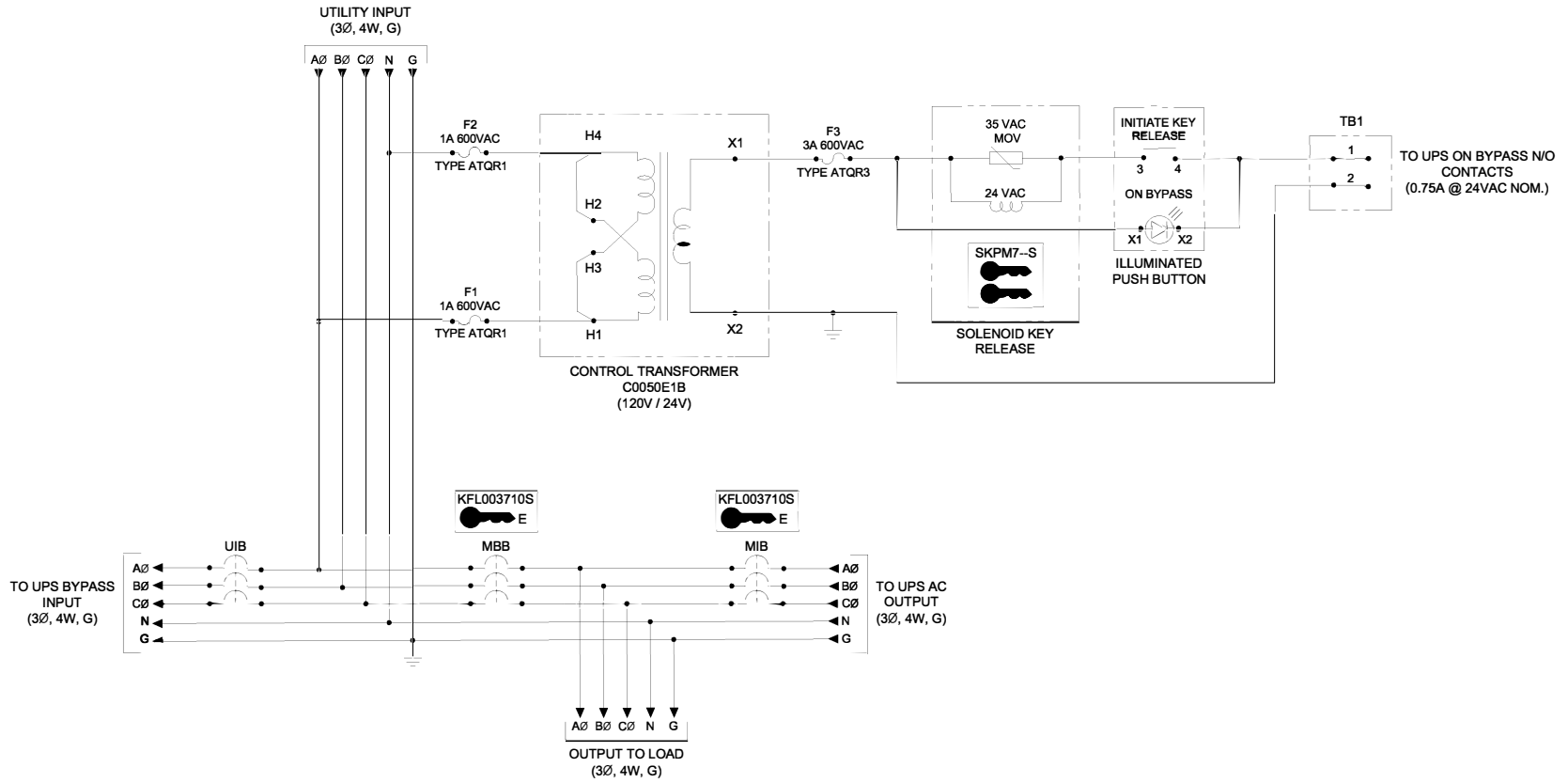
NOTES:

1. APPROXIMATE WEIGHT: 100 LBS.
2. ASSEMBLY IS UL/CUL LISTED TO UL 891 AND C22.2 NO. 244.
3. NEMA 1 WALL MOUNT ENCLOSURE.
4. THE BOX & TRIM ARE CONSTRUCTED FROM GALVANIZED STEEL.
5. THE TRIM FINISH IS POWDER COATED ON ALL EXTERNAL AND VISIBLE SURFACES, BOX AND ALL INTERNAL MOUNT BRACKETS ARE GALVANIZED FINISH.
6. THE CABINET IS TO BE MOUNTED THROUGH THE Ø0.375" HOLES IN THE BACK OF THE ENCLOSURE.

90880 SERIES MAINTENANCE BYPASS BREAKER PANEL			
15-225A, 208Y/120V, 3Ø/4W, 3 BREAKER WITH SKRU			
INTERLOCK CONFIGURATION 44			
THE INFORMATION CONTAINED IN THIS DRAWING IS THE SOLE PROPERTY OF C&C POWER, INC. ANY REPRODUCTION WITHOUT THE WRITTEN CONSENT OF C&C POWER, INC IS PROHIBITED.			
DIMENSIONS ARE IN INCHES		INITIALS	DATE
TOLERANCES:		DRAWN	ABB
DECIMALS:	ANGLES:	CHECKED	ABB
.XX ±.13	±1°		07/27/2018
.XXX ±.062			
SCALE:	SIZE:	REV:	
NTS	A	1	
SHEET 1 OF 2			C&C POWER ENGINEERED POWER PRODUCTS WWW.CCPower.COM © 2018 C&C POWER, INC. ALL RIGHTS RESERVED

CIRCUIT BREAKER OPTIONS		
TRIP SIZE	TRIP TYPE	AIC @ 240V
15-100A	TMAG (80%)	18K OR 65K
110-225A	TMAG (80%)	22K OR 65K
40-100A (ADJUSTABLE)	LI OR LSI (80% 210+)	65K
70-150A (ADJUSTABLE)	LI OR LSI (80% 210+)	65K
100-225A (ADJUSTABLE)	LI OR LSI (80% 210+)	65K
15-80A (ADJUSTABLE)	LS, LSI, LSG, LSIG (80% 310+)	65K
60-160A (ADJUSTABLE)	LS, LSI, LSG, LSIG (80% 310+)	65K
100-225A (ADJUSTABLE)	LS, LSI, LSG, LSIG (80% 310+)	65K

CIRCUIT BREAKER TERMINAL INFO	
TRIP SIZE	WIRE RANGE
15-100A	(1) 14 - 1/0
110-225A	(1) 4 - 4/0



NOTES:

- "UIB" UPS INPUT BREAKER
- "MBB" MAINTENANCE BYPASS BREAKER
- "MIB" MAINTENANCE ISOLATION BREAKER
- ALL INTERNAL CONNECTIONS BETWEEN "UIB", "MBB" AND "MIB" CIRCUIT BREAKERS ARE MADE USING COPPER BUS BARS.
- 600A RATED NEUTRAL BUS PROVIDED WITH MECHANICAL LUGS THAT ACCEPT A TOTAL OF (4) #6 - 350 MCM CABLES.
- GROUND LUG ACCEPTS (3) #6 - 350 MCM CABLES.
- MECHANICAL LUGS USED FOR THE AØ, BØ, AND CØ ON THE UTILITY INPUT & THE OUTPUT LOAD HAVE THE SAME WIRE RANGE AS THE CIRCUIT BREAKERS.
- VOLTAGE BETWEEN THE AØ AND N MUST BE 120V±10% FOR THE SKRU CIRCUIT TO FUNCTION PROPERLY.
- THIS DRAWING IS TO BE USED FOR ELECTRICAL PURPOSES ONLY AND DOES NOT REPRESENT THE ACTUAL MECHANICAL LAYOUT OF THE EQUIPMENT.

KIRK KEY NOTES:

- THE "E" OR "W" NEXT TO THE INTERLOCK INDICATES THE POSITION OF THE INTERLOCK BOLT WHEN THE KEY IS REMOVABLE. "E" = EXTENDED AND "W" = WITHDRAWN.
- THE KEY OR KEYS NEXT TO THE INTERLOCK INDICATES THE KEY NUMBER THAT FUNCTIONS WITH THE INTERLOCK.

90880 SERIES MAINTENANCE BYPASS BREAKER PANEL			
15-225A, 208Y/120V, 3Ø/4W, 3 BREAKER WITH SKRU			
INTERLOCK CONFIGURATION 44			
THE INFORMATION CONTAINED IN THIS DRAWING IS THE SOLE PROPERTY OF C&C POWER, INC. ANY REPRODUCTION WITHOUT THE WRITTEN CONSENT OF C&C POWER, INC IS PROHIBITED.			
DIMENSIONS ARE IN INCHES	INITIALS	DATE	
TOLERANCES:	DRAWN	ABB	07/27/2018
DECIMALS: .001	ANGLES: ±1°	CHECKED	ABB
JXX±13			07/27/2018
XXX 1.062			
SCALE: NTS	SIZE: A	REV: 1	SHEET 2 OF 2

C&C POWER
 ENGINEERED POWER PRODUCTS
 WWW.CCPOWER.COM
 © 2018 C&C POWER, INC.
 ALL RIGHTS RESERVED

DRAWING #: 90880-C44-SBK-SD1-2 REV 1