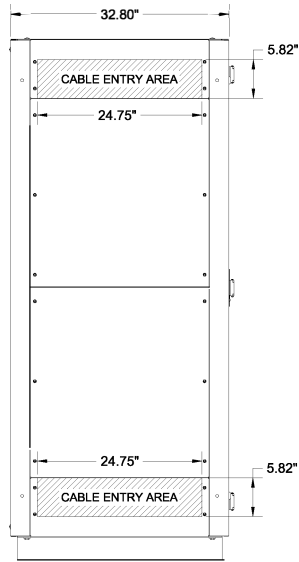
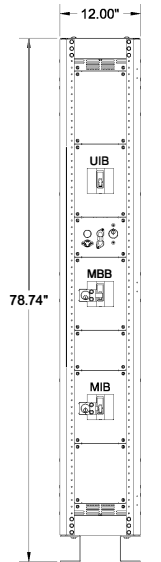


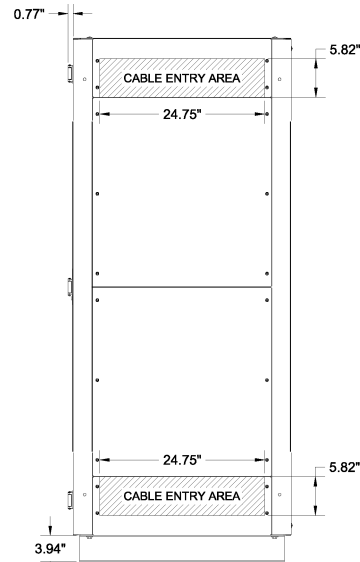
TOP VIEW



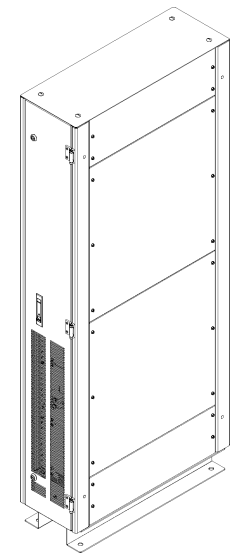
LEFT SIDE VIEW



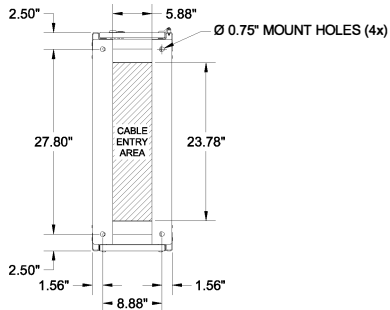
FRONT VIEW
(DOOR REMOVED)



RIGHT SIDE VIEW



ISOMETRIC VIEW



BOTTOM VIEW

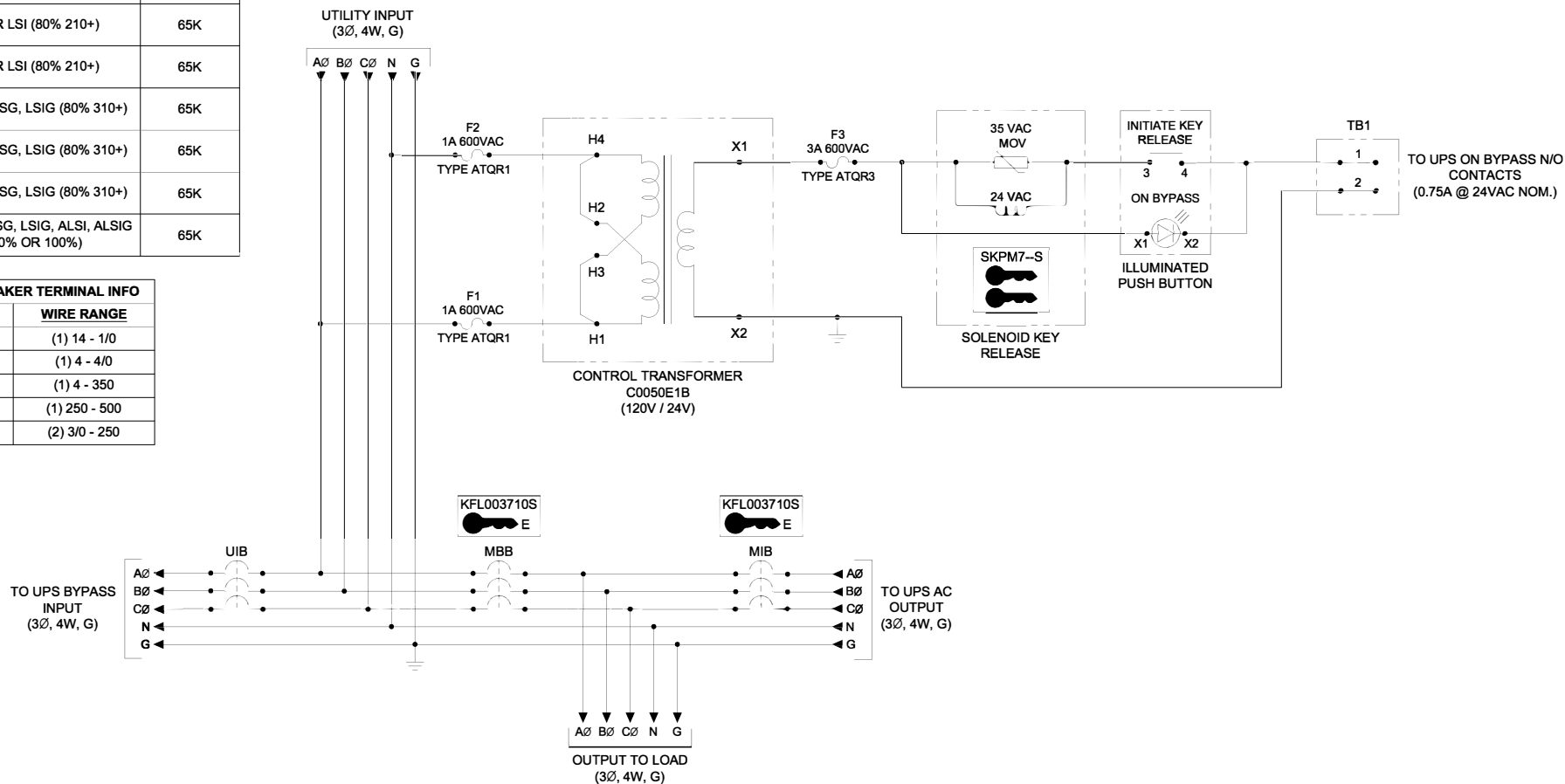
NOTES:

1. APPROXIMATE WEIGHT: 365 LBS.
2. ASSEMBLY IS UL/CUL LISTED TO UL 891 AND C22.2 NO. 244.
3. NEMA 1 TYPE ENCLOSURE.
4. THE CABINET IS CONSTRUCTED FROM GALVANIZED STEEL.
5. THE CABINET IS TO BE MOUNTED THROUGH THE 0.750" HOLES IN THE CABINET LEGS. THE LEGS ARE FORMED FROM 10 GAUGE STEEL.
6. FINISH IS POWDER COAT ON ALL EXTERNAL AND VISIBLE SURFACES, INTERIOR PANELS AND MOUNT BRACKETS ARE GALVANIZED FINISH.
7. CABINET LEGS ARE REVERSIBLE FOR EASY ACCESS TO CABINET FLOOR MOUNTING HARDWARE.
8. THE EQUIPMENT IS CERTIFIED TO THE INTERNATIONAL BUILDING CODE (IBC) AND THE CALIFORNIA BUILDING CODE (CBC) TO MEET SEISMIC DESIGN CATEGORY F, SS = 2.00 AND IMPORTANCE FACTOR 1.5.

90821 SERIES MAINTENANCE BYPASS BREAKER CABINET			
15-400A, 208Y/120V, 3Ø/4W, 3 BREAKER WITH SKRU			
INTERLOCK CONFIGURATION 44			
THE INFORMATION CONTAINED IN THIS DRAWING IS THE SOLE PROPERTY OF C&C POWER, INC. ANY REPRODUCTION WITHOUT THE WRITTEN CONSENT OF C&C POWER, INC IS PROHIBITED.			
DIMENSIONS ARE IN INCHES		INITIALS	DATE
TOLERANCES:		DRAWN CH	5/3/2018
DECIMALS:	ANGLES:	CHECKED CH	5/3/2018
JXX ±.13	±1°		
XXX ±.062			
SCALE: SIZE: A	REV: 1	SHEET 1 OF 2	
		C&C POWER ENGINEERED POWER PRODUCTS WWW.CCPower.COM © 2018 C&C POWER, INC. ALL RIGHTS RESERVED	

CIRCUIT BREAKER OPTIONS		
TRIP SIZE	TRIP TYPE	AIC @ 240V
15-100A	TMAG (80%)	18K OR 65K
110-225A	TMAG (80%)	22K OR 65K
250A	TMAG (80%)	65K
300A	TMAG (80%)	65K
350A	TMAG (80%)	65K
400A	TMAG (80%)	65K
40-100A (ADJUSTABLE)	LI OR LSI (80% 210+)	65K
70-150A (ADJUSTABLE)	LI OR LSI (80% 210+)	65K
100-225A (ADJUSTABLE)	LI OR LSI (80% 210+)	65K
15-80A (ADJUSTABLE)	LS, LSI, LSG, LSIG (80% 310+)	65K
60-160A (ADJUSTABLE)	LS, LSI, LSG, LSIG (80% 310+)	65K
100-225A (ADJUSTABLE)	LS, LSI, LSG, LSIG (80% 310+)	65K
160-400A (ADJUSTABLE)	LS, LSI, LSG, LSIG, ALSI, ALSIG (80% OR 100%)	65K

CIRCUIT BREAKER TERMINAL INFO	
TRIP SIZE	WIRE RANGE
15-100A	(1) 14 - 1/0
110-225A	(1) 4 - 4/0
250A	(1) 4 - 350
300-350A	(1) 250 - 500
400A	(2) 3/0 - 250



- NOTES:
- "UIB" UPS INPUT BREAKER
 - "MBB" MAINTENANCE BYPASS BREAKER
 - "MIB" MAINTENANCE ISOLATION BREAKER
 - ALL INTERNAL CONNECTIONS BETWEEN "UIB", "MBB" AND "MIB" CIRCUIT BREAKERS ARE MADE USING COPPER BUS BARS.
 - OPTIONAL 600A RATED NEUTRAL BUS PROVIDED WITH MECHANICAL LUGS THAT ACCEPT A TOTAL OF (4) #6 - 350 MCM CABLES.
 - OPTIONAL 800A RATED NEUTRAL BUS PROVIDED WITH MECHANICAL LUGS THAT ACCEPT A TOTAL OF (8) #2 - 600 MCM CABLES.
 - GROUND LUG ACCEPTS (4) #6 - 350 MCM CABLES.
 - MECHANICAL LUGS USED FOR THE AØ, BØ, AND CØ ON THE UTILITY INPUT & THE OUTPUT LOAD HAVE THE SAME WIRE RANGE AS THE CIRCUIT BREAKERS.
 - VOLTAGE BETWEEN THE AØ AND N MUST BE 120V±10% FOR THE SKRU CIRCUIT TO FUNCTION PROPERLY.
 - THIS DRAWING IS TO BE USED FOR ELECTRICAL PURPOSES ONLY AND DOES NOT REPRESENT THE ACTUAL MECHANICAL LAYOUT OF THE EQUIPMENT.

- KIRK KEY NOTES:
- THE "E" OR "W" NEXT TO THE INTERLOCK INDICATES THE POSITION OF THE INTERLOCK BOLT WHEN THE KEY IS REMOVABLE. "E" = EXTENDED AND "W" = WITHDRAWN.
 - THE KEY OR KEYS NEXT TO THE INTERLOCK INDICATES THE KEY NUMBER THAT FUNCTIONS WITH THE INTERLOCK.

90821 SERIES MAINTENANCE BYPASS BREAKER CABINET		
15-400A, 208Y/120V, 3Ø/4W, 3 BREAKER WITH SKRU		
INTERLOCK CONFIGURATION 44		
THE INFORMATION CONTAINED IN THIS DRAWING IS THE SOLE PROPERTY OF C&C POWER, INC. ANY REPRODUCTION WITHOUT THE WRITTEN CONSENT OF C&C POWER, INC IS PROHIBITED.		
DIMENSIONS ARE IN INCHES:	INITIALS	DATE
TOLERANCES:	DRAWN CH	5/3/2018
DECIMALS: .XX ±.13	CHECKED CH	5/3/2018
ANGLES: ±1°		
XXX ±.082		
SCALE: SIZE: A	REV: 1	SHEET 2 OF 2
NTS		

C&C POWER
ENGINEERED POWER PRODUCTS
WWW.CCPower.COM
© 2018 C&C POWER, INC.
ALL RIGHTS RESERVED

DRAWING #: 90821-FC44-SBK-SD1/2 REV 1