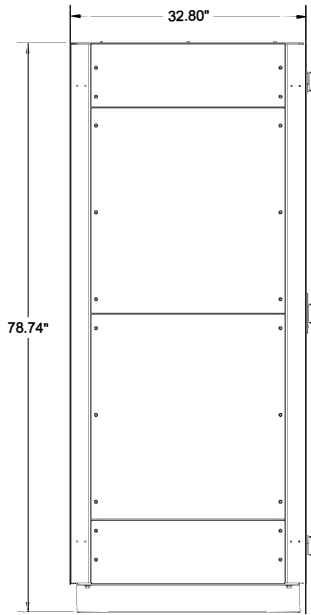
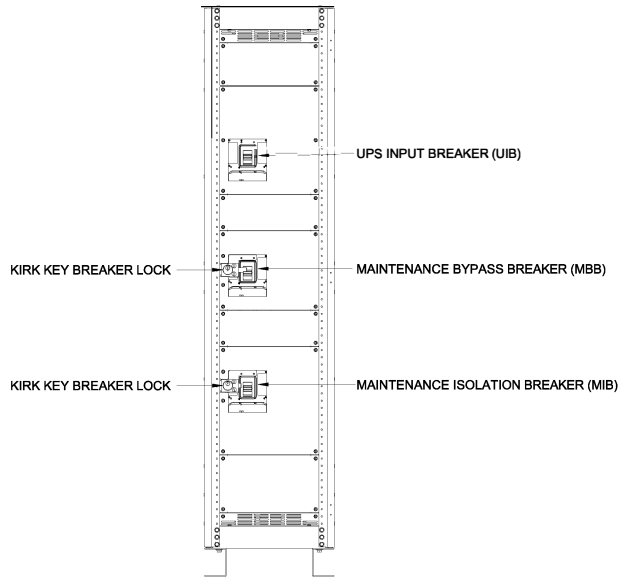


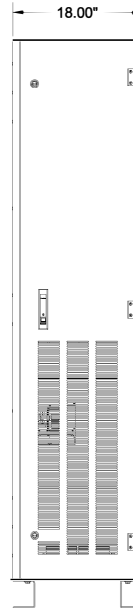
TOP VIEW



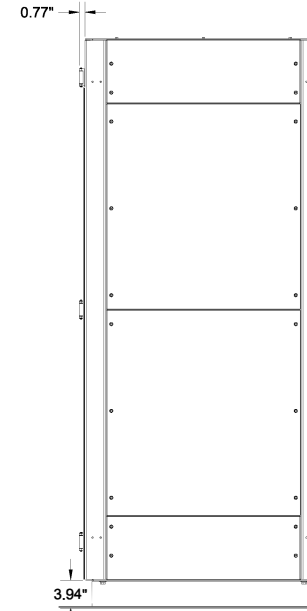
LEFT SIDE VIEW



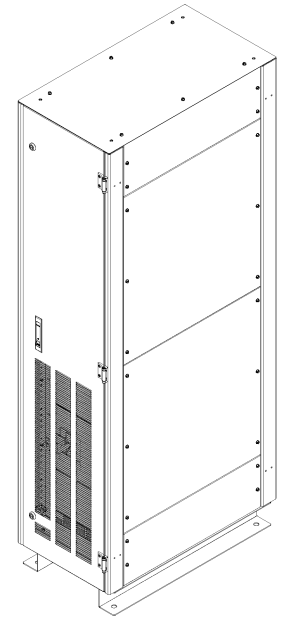
FRONT VIEW  
(DOOR REMOVED)



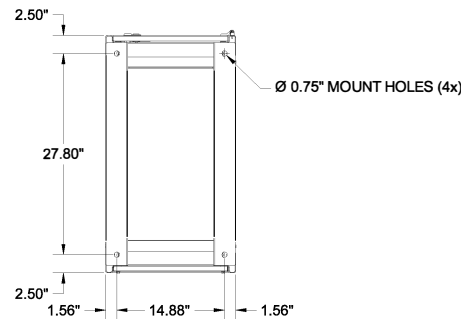
FRONT VIEW



RIGHT SIDE VIEW



ISOMETRIC VIEW



BOTTOM VIEW

NOTES:

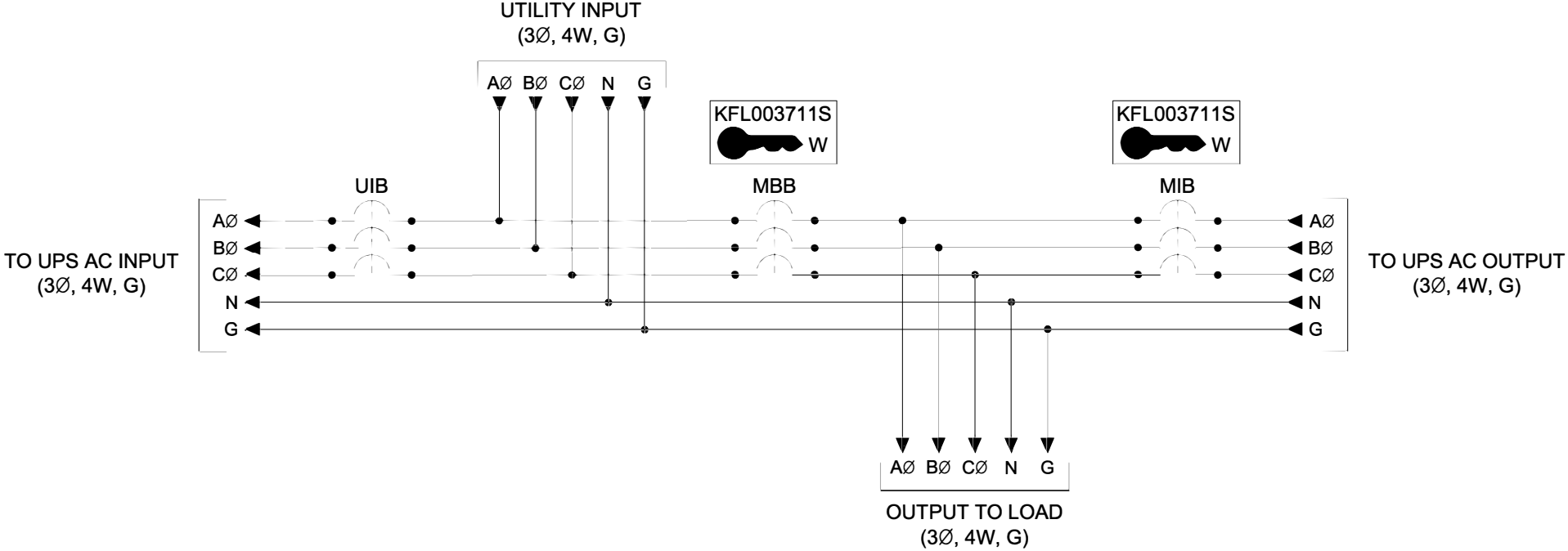
- APPROXIMATE WEIGHT: 375 LBS.
- 1. ASSEMBLY IS UL LISTED TO UL 891.
- 2. NEMA 1 TYPE ENCLOSURE.
- 3. THE CABINET IS CONSTRUCTED FROM GALVANIZED STEEL.
- 4. THE CABINET IS TO BE MOUNTED THROUGH THE 0.750" HOLES IN THE CABINET LEGS. THE LEGS ARE FORMED FROM 10 GAUGE STEEL.
- 5. FINISH IS POWDER COAT ON ALL EXTERNAL AND VISIBLE SURFACES. INTERIOR PANELS AND MOUNT BRACKETS ARE GALVANIZED FINISH.
- 6. CABINET LEGS ARE REVERSIBLE FOR EASY ACCESS TO CABINET FLOOR MOUNTING HARDWARE.

<b>90820 SERIES MAINTENANCE BYPASS BREAKER CABINET</b>			
<b>500A-600A, 120V/208V, 3Ø/4W/G, 3 BREAKER</b>			
<b>INTERLOCK CONFIGURATION 2</b>			
DIMENSIONS ARE IN INCHES	INITIALS	DATE	THE INFORMATION CONTAINED IN THIS DRAWING IS THE SOLE PROPERTY OF C&C POWER, INC. ANY REPRODUCTION WITHOUT THE WRITTEN CONSENT OF C&C POWER, INC IS PROHIBITED.
TOLERANCES:	DRAWN	PJC	
DECIMALS: .XX ± .13	ANGLES:	±1°	
.XXX ± .062	CHECKED	CH	10/9/2012
MATERIAL: SEE NOTES SHEET 1			
FINISH: SEE NOTES SHEET 1			
CAD GENERATED DRAWING DO NOT MANUALLY UPDATE			
SCALE: NTS	SIZE: A	REV: 2	SHEET 1 OF 2

**C&C POWER**  
ENGINEERED POWER PRODUCTS  
WWW.CCPOWER.COM

© 2012 C&C POWER, INC.  
ALL RIGHTS RESERVED

CIRCUIT BREAKER SUMMARY				
BREAKER TYPE	BREAKER MODEL	TRIP	AIC	WIRE RANGE
CUTLER HAMMER SERIES G	LGE3XXX	500-600A	65K @ 240VAC	(2) 2 - 500



**NOTES:**

1. "UIB" UPS INPUT BREAKER
2. "MBB" MAINTENANCE BYPASS BREAKER
3. "MIB" MAINTENANCE ISOLATION BREAKER
4. ALL INTERNAL CONNECTIONS BETWEEN "UIB", "MBB" AND "MIB" ARE MADE USING COPPER BUS BARS.
5. 200% RATED NEUTRAL LUG ACCEPTS (4) #6 - 350 MCM CABLES.
6. GROUND LUG ACCEPTS (4) #6 - 350 MCM CABLES.
7. MECHANICAL LUGS USED FOR THE UTILITY INPUT & THE OUTPUT LOAD HAVE THE SAME WIRE RANGE AS THE CIRCUIT BREAKERS.
8. THIS DRAWING IS TO BE USED FOR ELECTRICAL PURPOSES ONLY AND DOES NOT REPRESENT THE ACTUAL MECHANICAL LAYOUT OF THE EQUIPMENT.

**KIRK KEY NOTES:**

1. THE "E" OR "W" NEXT TO THE INTERLOCK INDICATES THE POSITION OF THE INTERLOCK BOLT WHEN THE KEY IS REMOVABLE. "E" = EXTENDED AND "W" = WITHDRAWN.
2. THE KEY OR KEYS NEXT TO THE INTERLOCK INDICATES THE KEY NUMBER THAT FUNCTIONS WITH THE INTERLOCK.

90820 SERIES MAINTENANCE BYPASS BREAKER CABINET			
500A-600A, 120V/208V, 3Ø/4W/G, 3 BREAKER			
INTERLOCK CONFIGURATION 2			
DIMENSIONS ARE IN INCHES	INITIALS	DATE	THE INFORMATION CONTAINED IN THIS DRAWING IS THE SOLE PROPERTY OF C&C POWER, INC. ANY REPRODUCTION WITHOUT THE WRITTEN CONSENT OF C&C POWER, INC IS PROHIBITED.
TOLERANCES:	DRAWN	PJC	
DECIMALS: .XX ±.13	ANGLES:	±1°	
.XXX ±.062	CHECKED	CH	10/9/2012
MATERIAL: SEE NOTES SHEET 1			
FINISH: SEE NOTES SHEET 1			
CAD GENERATED DRAWING DO NOT MANUALLY UPDATE			
SCALE: SIZE: A	REV: 2	SHEET 2 OF 2	
			<b>C&amp;C POWER</b> ENGINEERED POWER PRODUCTS WWW.CCPOWER.COM © 2012 C&C POWER, INC. ALL RIGHTS RESERVED

DRAWING # 90820-C2-208-500A2-2 REV 2