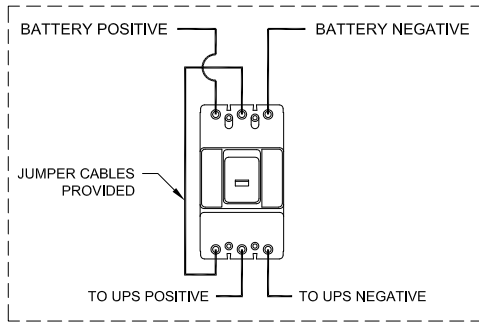
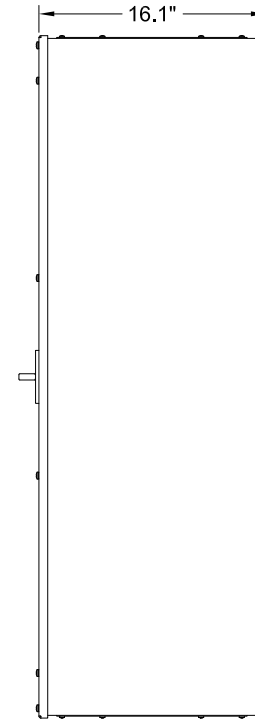
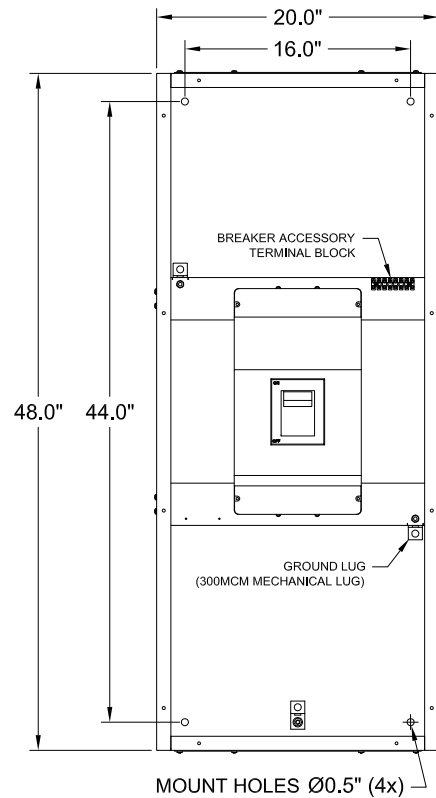
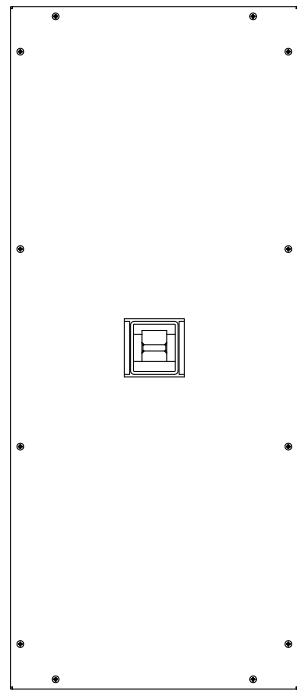
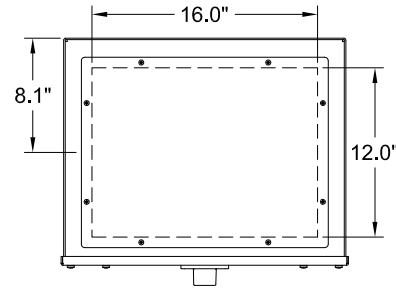


CIRCUIT BREAKER SUMMARY

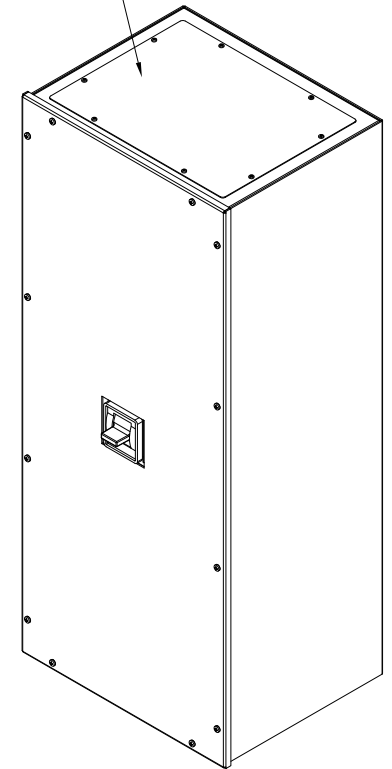
BREAKER TYPE	BREAKER MODEL	TRIP	AIC	WIRE RANGE
SQUARE D	MHL36XXXX	900-1200A	25K @ 500VDC	(4) 1/0 - 350



TYPICAL BREAKER WIRING



REMOVABLE GLAND PLATE
TYP. TOP & BOTTOM



- NOTES:**
- APPROXIMATE WEIGHT: 170 LBS.
1. ASSEMBLY IS UL LISTED TO UL 1778.
 2. NEMA 1 WALL MOUNT ENCLOSURE.
 3. THE BOX & COVER ARE CONSTRUCTED FROM HEAVY GAUGE COLD ROLLED STEEL.
 4. AVAILABLE IN MULTIPLE COLORS OF DURABLE & CORROSION RESISTANT POWDER COAT FINISH.

91830 SERIES WALL MOUNT UPS BATTERY DISCONNECT			
900 AMP - 1200 AMP			
--			
THE INFORMATION CONTAINED IN THIS DRAWING IS THE SOLE PROPERTY OF C&C POWER, INC. ANY REPRODUCTION WITHOUT THE WRITTEN CONSENT OF C&C POWER, INC IS PROHIBITED.			
DIMENSIONS ARE IN INCHES		INITIALS	DATE
TOLERANCES:	DECIMALS:	DRAWN	CH
ANGLES:	±1"	CHECKED	CH
XX 4.13			3/3/2014
.XXX 1.082			3/3/2014
SCALE: NTS	SIZE: A	REV: 3	SHEET 1 OF 1

C&C POWER
ENGINEERED POWER PRODUCTS
 WWW.CCPOWER.COM
 © 2014 C&C POWER, INC.
 ALL RIGHTS RESERVED