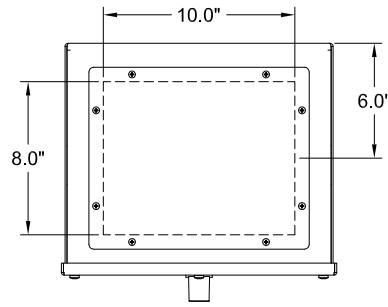
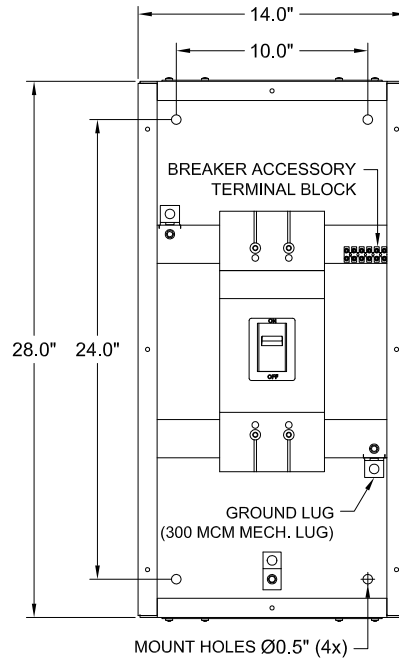
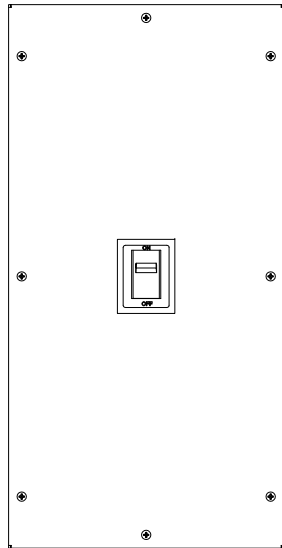


TYPICAL BREAKER WIRING

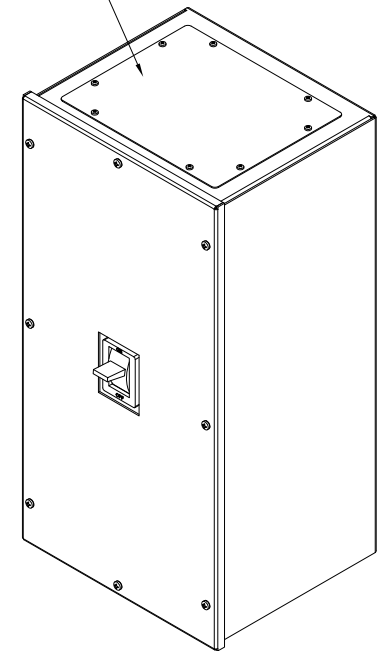
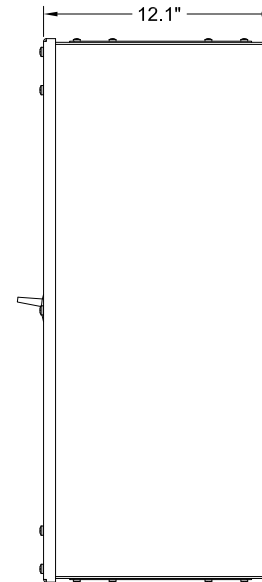


CIRCUIT BREAKER SUMMARY

| BREAKER TYPE | BREAKER MODEL | TRIP | AIC | WIRE RANGE |
|------------------------|---------------|----------|--------------|---------------|
| CUTLER HAMMER SERIES C | HFDDC3XXX | 15-100A | 42K @ 600VDC | (1) 14 - 1/0 |
| CUTLER HAMMER SERIES G | JGEDC3XXX | 125-250A | 35K @ 600VDC | (1) 8 - 350 |
| | LGEDC3XXX | 300-350A | 35K @ 600VDC | (1) 3 - 500 |
| | LGEDC3400 | 400A | 35K @ 600VDC | (1) 500 - 750 |



REMOVABLE GLAND PLATE
TYP. TOP & BOTTOM



NOTES:

- 1. APPROXIMATE WEIGHT: 62 LBS.
- 2. ASSEMBLY IS UL LISTED TO UL 1778.
- 3. NEMA 1 WALL MOUNT ENCLOSURE.
- 4. THE BOX & COVER ARE CONSTRUCTED FROM HEAVY GAUGE COLD ROLLED STEEL.
- 5. AVAILABLE IN MULTIPLE COLORS OF DURABLE & CORROSION RESISTANT POWDER COAT FINISH.

91810 SERIES WALL MOUNT UPS BATTERY DISCONNECT
15 AMP - 400 AMP

THE INFORMATION CONTAINED IN THIS DRAWING IS THE SOLE PROPERTY OF C&C POWER, INC. ANY REPRODUCTION WITHOUT THE WRITTEN CONSENT OF C&C POWER, INC IS PROHIBITED.

| | | | |
|--------------------------|---------|----------|----------|
| DIMENSIONS ARE IN INCHES | | INITIALS | DATE |
| TOLERANCES: | ANGLES: | DRAWN | 3/3/2014 |
| DECIMALS: .XX ±.13 | ±1° | CH | |
| .XXX ±.082 | | CHECKED | 3/3/2014 |
| | | CH | |
| SCALE: NTS | SIZ: A | REV: 4 | |

C&C POWER
ENGINEERED POWER PRODUCTS
WWW.CCPower.COM

© 2014 C&C POWER, INC.
ALL RIGHTS RESERVED