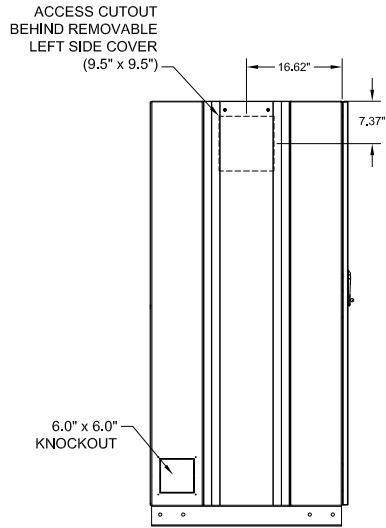
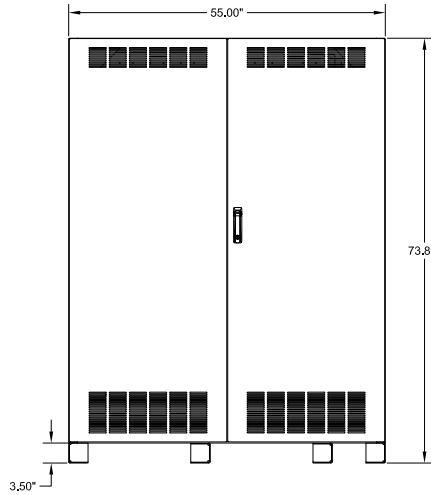


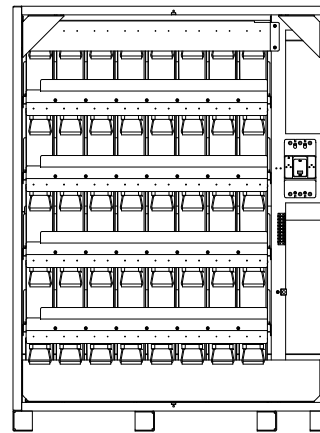
TOP VIEW



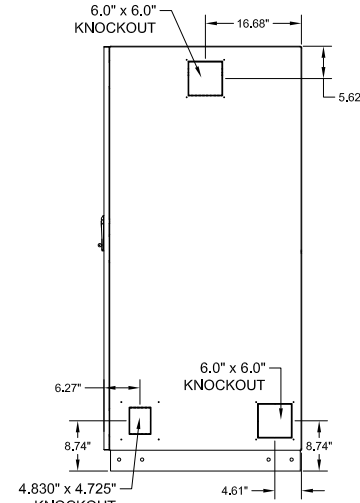
LEFT SIDE VIEW



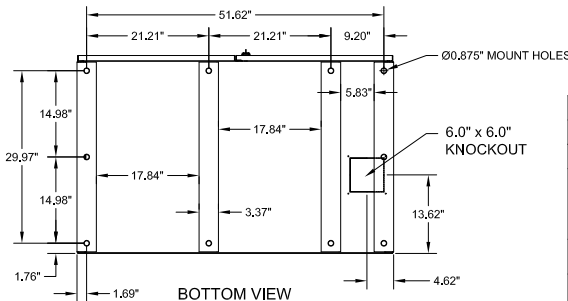
FRONT VIEW



FRONT VIEW  
(DOORS REMOVED)



RIGHT SIDE VIEW



BOTTOM VIEW

CABINET NOTES:

EMPTY CABINET WEIGHT: 625

1. NEMA 1 ENCLOSED BATTERY CABINET.
2. FACTORY ASSEMBLED CABINETS ARE LISTED TO UL 1778.
3. HEAVY GAUGE WELDED STEEL CONSTRUCTION.
4. AVAILABLE IN MULTIPLE COLORS OF DURABLE CHIP AND CORROSION RESISTANT POWDER COAT FINISH.
5. FOR EASE OF CONDUIT INSTALLATION, 16 GAUGE CONDUIT KNOCKOUT PLATES ARE PROVIDED TO REPLACE THE KNOCKOUTS IN THE CABINET. (3) 7"x 7" COVER PLATES ARE PROVIDED.
6. BATTERIES CAN BE ACCESSED FROM THE FRONT OF THE CABINET.
7. CABINET CAN BE MOVED WITH PALLET JACK OR FORK LIFT AT PALLET JACK ACCESS POINTS LOCATED AT FRONT OR REAR OF CABINET. FROM THE SIDES, THE CABINET CAN BE MOVED WITH ROL-A-LIFT TYPE EQUIPMENT MOVER. THE CABINET IS ONLY TO BE LIFTED FROM THE BOTTOM.

UBC77 BATTERY CABINET			
MECHANICAL DRAWING			
DIMENSIONS ARE IN INCHES		INITIALS	DATE
TOLERANCES:		DRAWN	06/03/2010
DECIMALS: .XX ±.03	ANGLES: ±1°	JRL	
.XXX ±.015		CHECKED	06/03/2010
MATERIAL: --			
FINISH: --			
CAD GENERATED DRAWING DO NOT MANUALLY UPDATE			
SCALE: NTS	SHEET: A	REV: 2	SHEET 1 OF 2

**C&C POWER**  
ENGINEERED POWER PRODUCTS

949 N. Larch Ave. - Elmhurst, IL 60126

© 2010 C&C POWER, INC.  
ALL RIGHTS RESERVED

DRAWING # 9477-SDC01-1 REV2