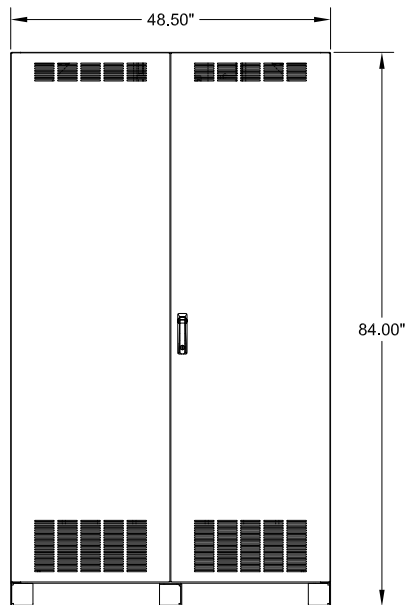
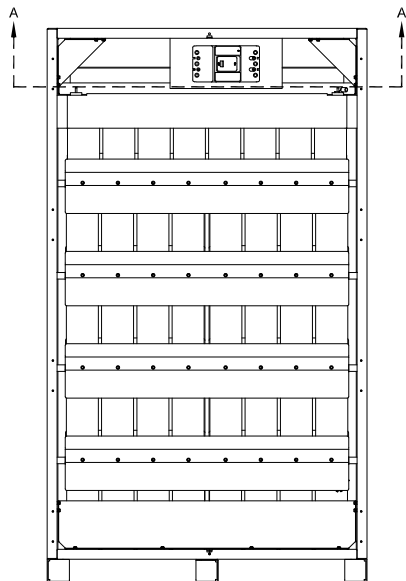


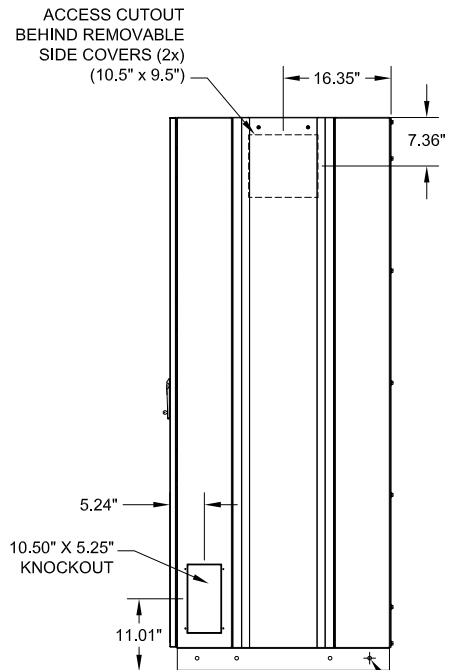
TOP VIEW



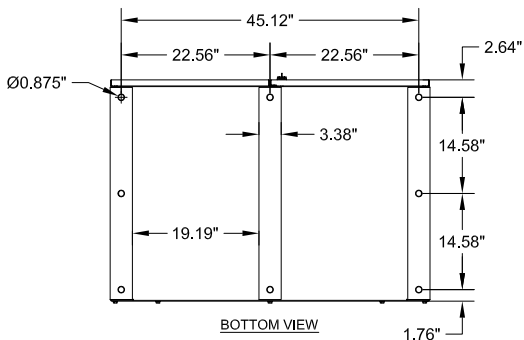
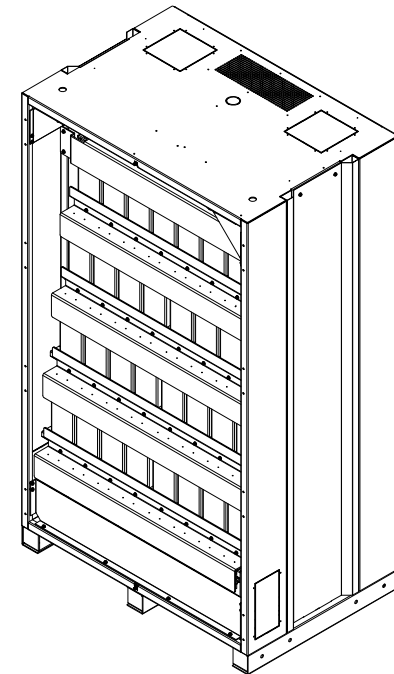
FRONT VIEW



FRONT VIEW (DOORS REMOVED)



RIGHT SIDE VIEW



BOTTOM VIEW

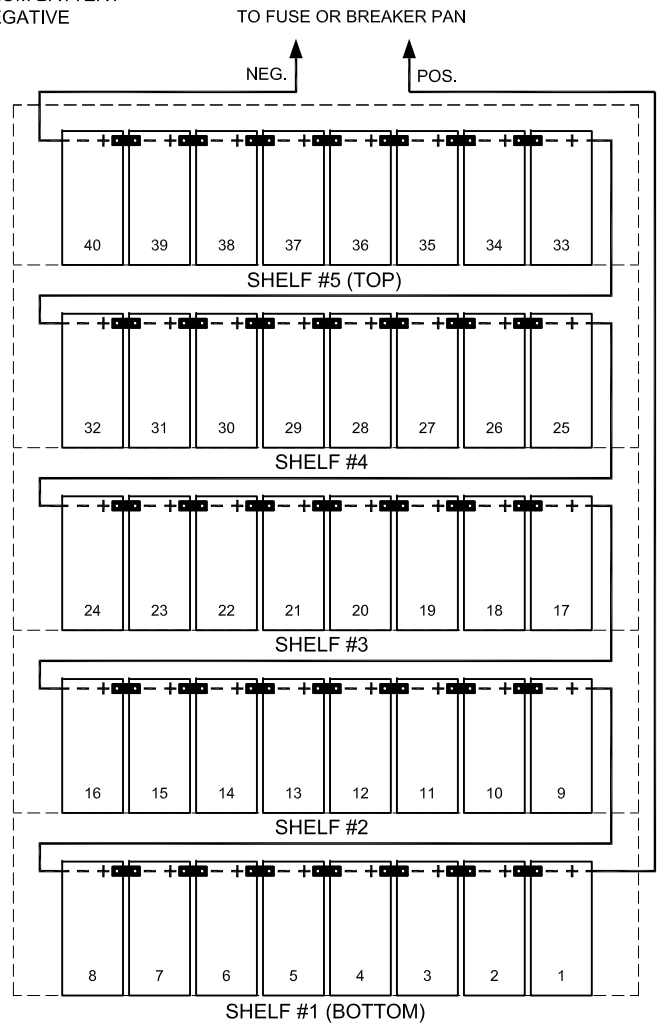
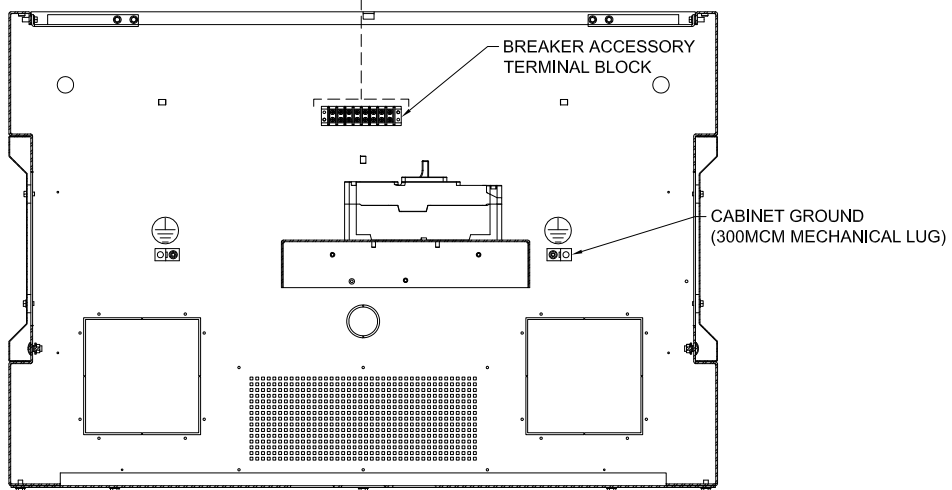
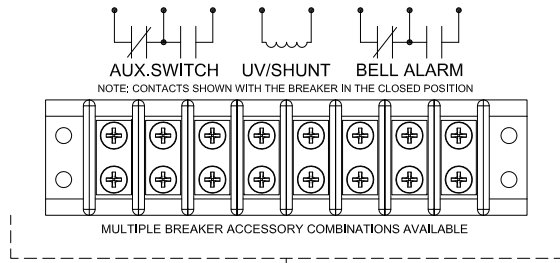
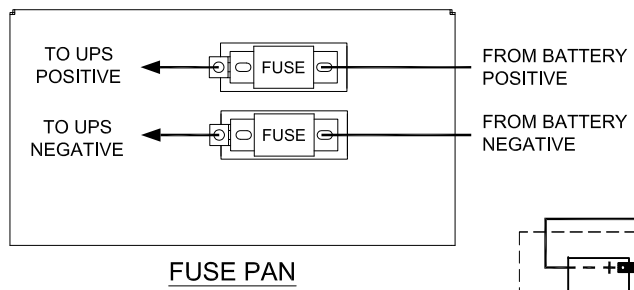
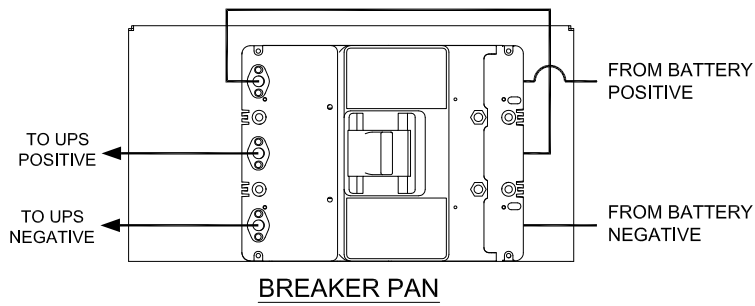
CABINET NOTES:

EMPTY CABINET WIEGHT: 1000

1. NEMA 1 ENCLOSED BATTERY CABINET.
2. FACTORY ASSEMBLED CABINETS ARE LISTED TO UL 1778.
3. HEAVY GUAGE WELDED STEEL CONSTRUCTION.
4. AVAILABLE IN MULTIPLE COLORS OF DURABLE CHIP AND CORROSION RESISTANT POWDER COAT FINISH.
5. FOR EASE OF CONDUIT INSTALLATION, 16 GAUGE CONDUIT KNOCKOUT PLATES ARE PROVIDED TO REPLACE THE KNOCKOUTS IN THE CABINET. (2) 8"x 8" COVER PLATES AND (1) 8" X 5.75" COVER PLATE ARE PROVIDED.
6. BATTERIES CAN BE ACCESSED FROM THE FRONT OF THE CABINET.
7. CABINET CAN BE MOVED WITH PALLET JACK OR FORK LIFT AT PALLET JACK ACCESS POINTS LOCATED AT FRONT OR REAR OF CABINET. FROM THE SIDES, THE CABINET CAN BE MOVED WITH ROL-A-LIFT TYPE EQUIPMENT MOVER. THE CABINET IS ONLY TO BE LIFTED FROM THE BOTTOM.

UBC75 BATTERY CABINET			
MECHANICAL DRAWING			
DIMENSIONS ARE IN INCHES		INITIALS	DATE
TOLERANCES:		DRAWN	JRL
DECIMALS: .XX ±.13		ANGLE: ±1°	CHECKED
.XXX ±.062		CH	04/30/10
MATERIAL: --		THE INFORMATION CONTAINED IN THIS DRAWING IS THE SOLE PROPERTY OF C&C POWER, INC. ANY REPRODUCTION WITHOUT THE WRITTEN CONSENT OF C&C POWER, INC IS PROHIBITED.	
FINISH: --		C&C POWER ENGINEERED POWER PRODUCTS 949 N. Larch Ave. - Elmhurst, IL 60126 © 2010 C&C POWER, INC. ALL RIGHTS RESERVED	
CAD GENERATED DRAWING DO NOT MANUALLY UPDATE			
SCALE: NTS	SIZE: A	REV: 4	SHEET 1 OF 2

DRAWING #: 91475-SDC01-1 REV.4



480VDC TYPICAL WIRING

ELECTRICAL NOTES:

1. ALL INTERNAL WIRING IS UL LISTED, MTW, STYLE, 105C, EXTRA FLEXIBLE CABLE.
2. FUSE IS UL RECOGNIZED, TYPE A50P OR A70P. REPLACE FUSES ONLY WITH SAME TYPE AND RATING AS SUPPLIED WITH SYSTEM!
3. BREAKER IS UL LISTED.
4. CABINETS WITH BREAKERS ARE SHIPPED WITH BREAKER IN THE TRIPPED POSITION.
5. CABINETS ARE SHIPPED WITH BATTERY JUMPER REMOVED TO BREAK STRING VOLTAGE FOR ADDED SAFETY IN SHIPPING.
6. THE TERMINAL BLOCKS ARE UL RECOGNIZED, 600V RATED.
7. CABLES FROM BATTERY CABINET TO UPS SYSTEM ARE OPTIONAL.
8. GROUND CONNECTION IS #6-300MCM MECHANICAL LUG.
9. BATTERIES ARE EAST PENN / DEKA MODEL HR7500ET.

UBC75 BATTERY CABINET			
ELECTRICAL DRAWING			
--		INITIALS	
DIMENSIONS ARE IN INCHES		DATE	
TOLERANCES:		DRAWN	
DECIMALS: .XX ±.13		JRL	
ANGLES: .XXX ±.062		CHECKED	
		CH	
		04/30/10	
MATERIAL: --			
FINISH: --			
CAD GENERATED DRAWING DO NOT MANUALLY UPDATE			
SCALE: A		SHEET 2 OF 2	
NTS		REV: 3	
<p>THE INFORMATION CONTAINED IN THIS DRAWING IS THE SOLE PROPERTY OF C&C POWER, INC. ANY REPRODUCTION WITHOUT THE WRITTEN CONSENT OF C&C POWER, INC IS PROHIBITED.</p> <p>C&C POWER ENGINEERED POWER PRODUCTS 949 N. Larch Ave. - Elmhurst, IL 60126 © 2010 C&C POWER, INC. ALL RIGHTS RESERVED</p>			

DRAWING # 91475-SDC01-2 REV 3