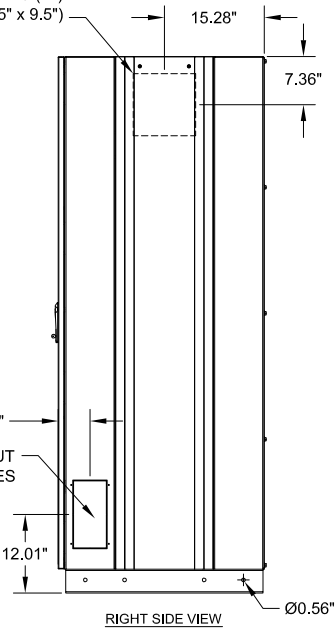
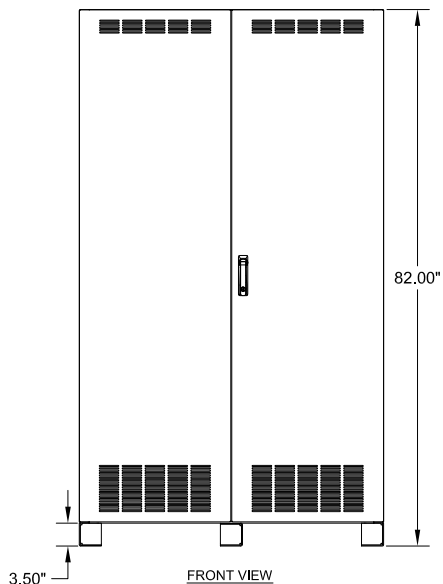
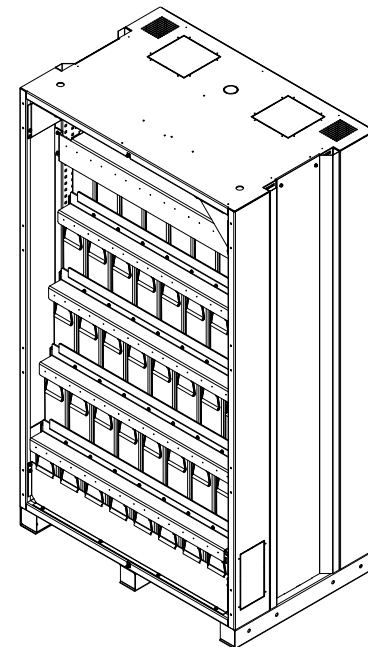


TOP VIEW

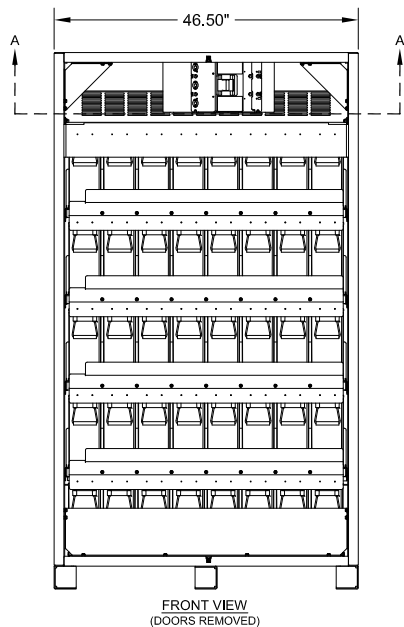
ACCESS CUTOUT
BEHIND REMOVABLE
SIDE COVERS (2x)
(9.5" x 9.5")



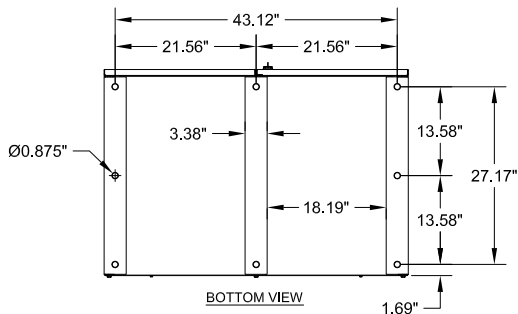
RIGHT SIDE VIEW



FRONT VIEW



FRONT VIEW
(DOORS REMOVED)



BOTTOM VIEW

CABINET NOTES:

EMPTY CABINET WEIGHT: 590

1. NEMA 1 ENCLOSED BATTERY CABINET.
2. FACTORY ASSEMBLED CABINETS ARE LISTED TO UL 1778.
3. HEAVY GAUGE WELDED STEEL CONSTRUCTION.
4. AVAILABLE IN MULTIPLE COLORS OF DURABLE CHIP AND CORROSION RESISTANT POWDER COAT FINISH.
5. FOR EASE OF CONDUIT INSTALLATION, 16 GAUGE CONDUIT KNOCKOUT PLATES ARE PROVIDED TO REPLACE THE KNOCKOUTS IN THE CABINET. (2) 8"x 8" COVER PLATES AND (1) 8" X 5.75" COVER PLATE ARE PROVIDED.
6. BATTERIES CAN BE ACCESSED FROM THE FRONT OF THE CABINET.
7. CABINET CAN BE MOVED WITH PALLET JACK OR FORK LIFT AT PALLET JACK ACCESS POINTS LOCATED AT FRONT OR REAR OF CABINET. FROM THE SIDES, THE CABINET CAN BE MOVED WITH ROL-A-LIFT TYPE EQUIPMENT MOVER. THE CABINET IS ONLY TO BE LIFTED FROM THE BOTTOM.

UBC64 BATTERY CABINET			
MECHANICAL DRAWING			
--			
DIMENSIONS ARE IN INCHES	INITIALS	DATE	THE INFORMATION CONTAINED IN THIS DRAWING IS THE SOLE PROPERTY OF C&C POWER, INC. ANY REPRODUCTION WITHOUT THE WRITTEN CONSENT OF C&C POWER, INC IS PROHIBITED.
TOLERANCES:	DRAWN	JRL	
DECIMALS: .XX ±.13 .XXX ±.062	ANGLES: ±1"	CHECKED	
MATERIAL: --	CH	6/25/2010	C&C POWER ENGINEERED POWER PRODUCTS 949 N. Larch Ave. - Elmhurst, IL 60126 © 2010 C&C POWER, INC. ALL RIGHTS RESERVED
FINISH: --	CAD GENERATED DRAWING DO NOT MANUALLY UPDATE		
SCALE: SEE NTS	SHEET: A	REV: 6	SHEET 1 OF 2