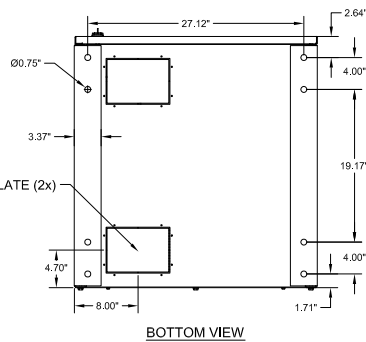
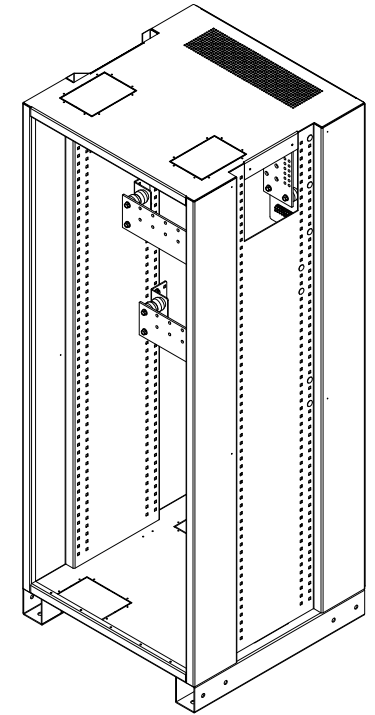
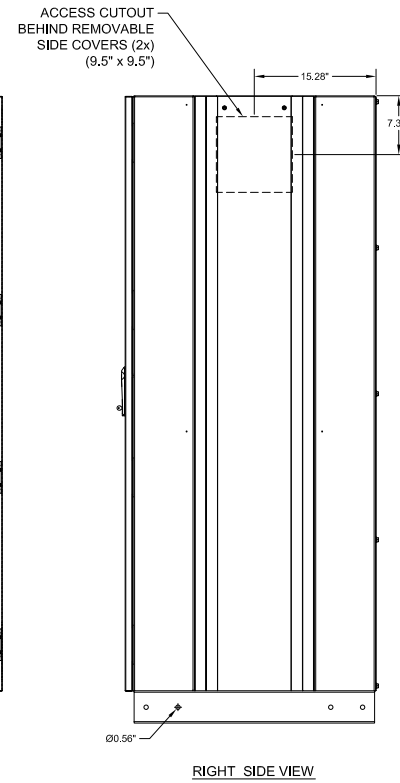
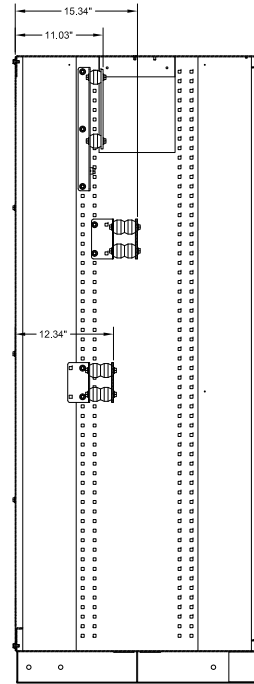
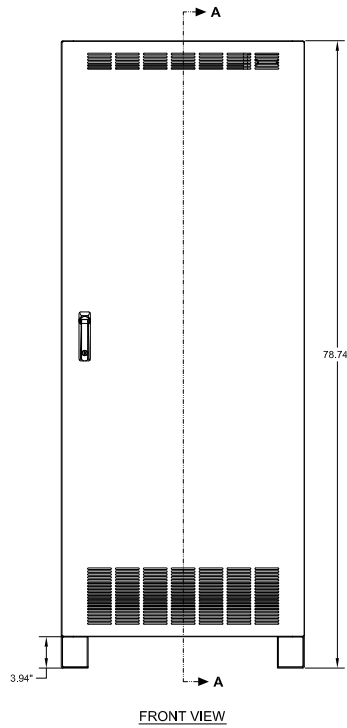
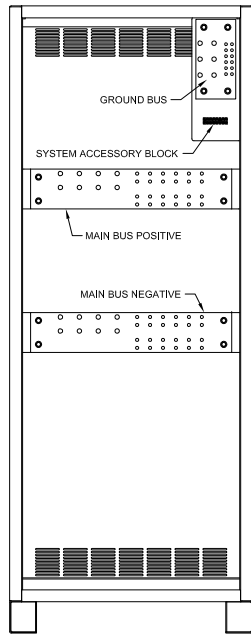


**NOTES:**

APPROXIMATE WEIGHT: 460 LBS.

1. MAIN LANDING BUS OUTPUT (TO UPS) IS PROVIDED WITH (4) TWO HOLE LANDINGS PER BUS ON 1-3/4" CENTERS TO ACCEPT Ø1/2" BOLTS. WILL ACCEPT LUGS WITH MAXIMUM TANG WIDTH OF 2-3/8".
2. MAIN LANDING BUS INPUT (FROM BATTERY CABINETS) IS PROVIDED WITH (12) TWO HOLE LANDINGS PER BUS ON 1" CENTERS TO ACCEPT Ø3/8" BOLTS. WILL ACCEPT LUGS WITH MAXIMUM TANG WIDTH OF 1-5/8".
3. MAIN LANDING BUS CURRENT CAPACITY IS 1500 AMPS.
4. GROUND BUS OUTPUT (TO MAIN GROUND) IS PROVIDED WITH (3) TWO HOLE LANDINGS ON 1-3/4" CENTERS TO ACCEPT Ø1/2" BOLTS. WILL ACCEPT LUGS WITH MAXIMUM TANG WIDTH OF 2".
5. GROUND BUS INPUT (FROM BATTERY CABINETS) IS PROVIDED WITH (6) TWO HOLE LANDINGS ON 1" CENTERS TO ACCEPT Ø3/8" BOLTS. WILL ACCEPT LUGS WITH MAXIMUM TANG WIDTH OF 3/4".
6. ALL TWO HOLE LANDINGS ARE CAPABLE OF ACCEPTING UP TO (2) TWO HOLE LUGS IN BACK TO BACK CONFIGURATION.
7. SYSTEM ACCESSORY BLOCK IS UL RECOGNIZED, 600V RATED.



|   |             |              |   |
|---|-------------|--------------|---|
| 95440-15  |             |              |   |
| UBC40 LANDING CABINET                           |             |              |   |
| 1500A CONFIGURATION                             |             |              |   |
| DIMENSIONS ARE IN INCHES                        | INITIALS    | DATE         | THE INFORMATION CONTAINED IN THIS DRAWING IS THE SOLE PROPERTY OF C&C POWER, INC. ANY REPRODUCTION WITHOUT THE WRITTEN CONSENT OF C&C POWER, INC IS PROHIBITED. |
| TOLERANCES:                                     | DRAWN       | JRL          |   |
| DECIMALS: .XX ±.13                              | ANGLES: ±1° | CHECKED      |   |
| MATERIAL: ..                                    | CH          | 02/12/10     |   |
| FINISH: ..                                      |             |              |   |
| CAD GENERATED DRAWING<br>DO NOT MANUALLY UPDATE |             |              |   |
| SCALE: ..                                       | REV: 1      | SHEET 1 OF 1 |   |

**C&C POWER**  
ENGINEERED POWER PRODUCTS

949 N. Larch Ave. - Elmhurst, IL 60126

© 2010 C&C POWER, INC.

ALL RIGHTS RESERVED