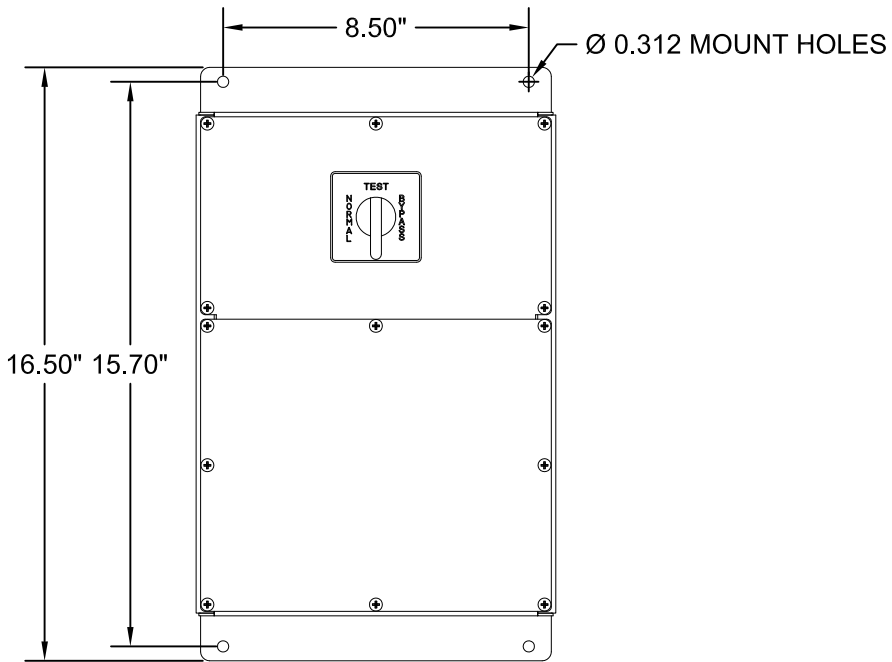
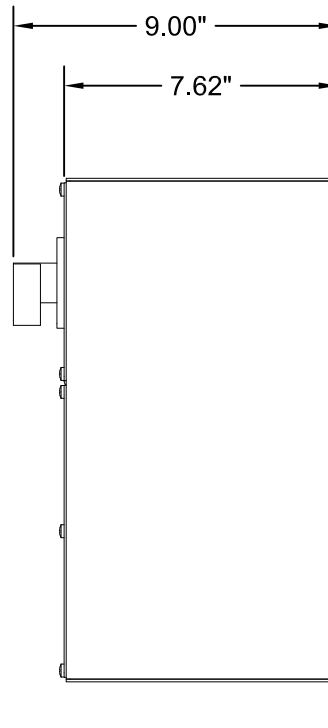


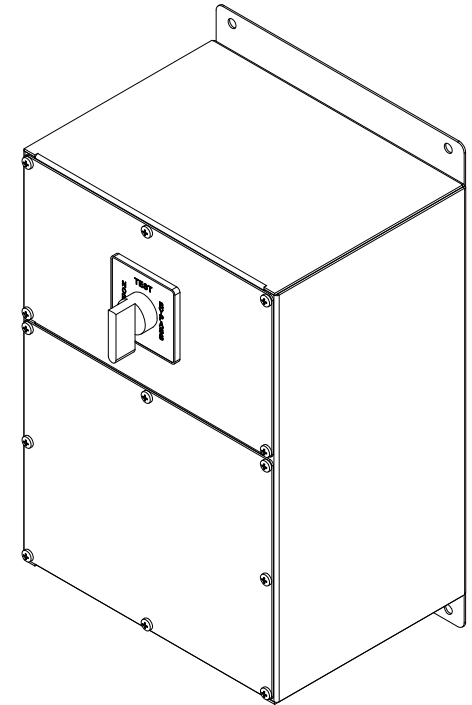
FRONT VIEW
(COVER REMOVED)




FRONT VIEW

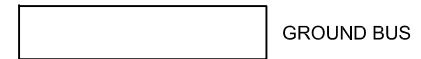
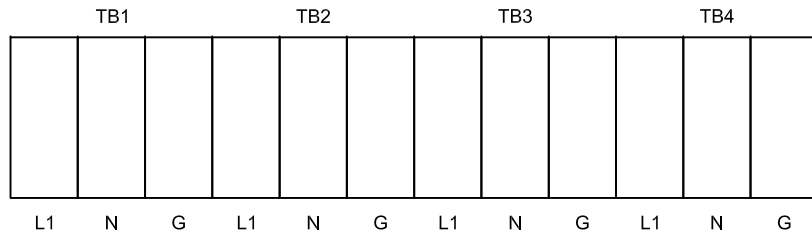
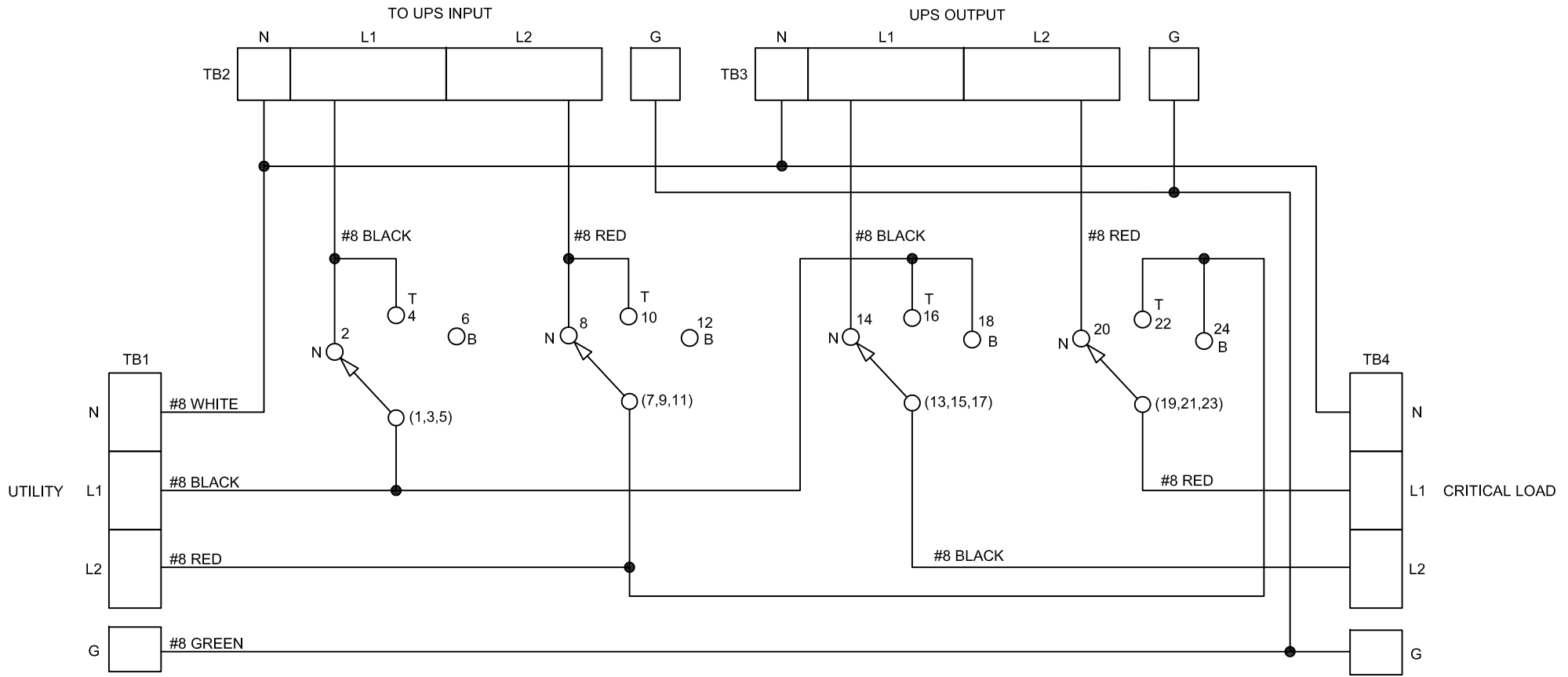


SIDE VIEW



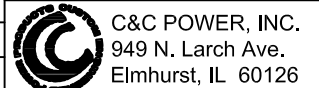
WALL MOUNT MBS			
MAINTENANCE BYPASS SWITCH			
MECHANICAL			
DIMENSIONS ARE IN INCHES		INITIALS	DATE
TOLERANCES:		DRAWN CH	3/13/2009
DECIMALS:	ANGLES:	CHECKED	
.XX ±.13	±1°	--	--/--
.XXX ±.062			
MATERIAL: --			
FINISH: --			
CAD GENERATED DRAWING DO NOT MANUALLY UPDATE			
SCALE:	SHEET:	REV:	
NTS	A	B	SHEET 1 OF 3
 C&C POWER, INC. 949 N. Larch Ave. Elmhurst, IL 60126 © 2009 C&C POWER, INC. ALL RIGHTS RESERVED			THE INFORMATION CONTAINED IN THIS DRAWING IS THE SOLE PROPERTY OF C&C POWER, INC. ANY REPRODUCTION WITHOUT THE WRITTEN CONSENT OF C&C POWER, INC IS PROHIBITED.

DRAWING # 23802-SD01-1 REV B



208 / 240 VAC 50 / 63 AMP MAINTENANCE BYPASS SWITCH

WALL MOUNT MBS			
MAINTENANCE BYPASS SWITCH			
208 / 240 VAC 50 / 63 AMP WIRING			
DIMENSIONS ARE IN INCHES	INITIALS	DATE	THE INFORMATION CONTAINED IN THIS DRAWING IS THE SOLE PROPERTY OF C&C POWER, INC. ANY REPRODUCTION WITHOUT THE WRITTEN CONSENT OF C&C POWER, INC IS PROHIBITED.
TOLERANCES:	DRAWN JRL	3/13/2009	
DECIMALS: .XX ±.13	ANGLES: ±1°	CHECKED CH	3/13/2009
MATERIAL: ..	FINISH: ..		
CAD GENERATED DRAWING DO NOT MANUALLY UPDATE			
SCALE: NTS	SER: A	REV: B	SHEET 3 OF 3



© 2009 C&C POWER, INC.
ALL RIGHTS RESERVED