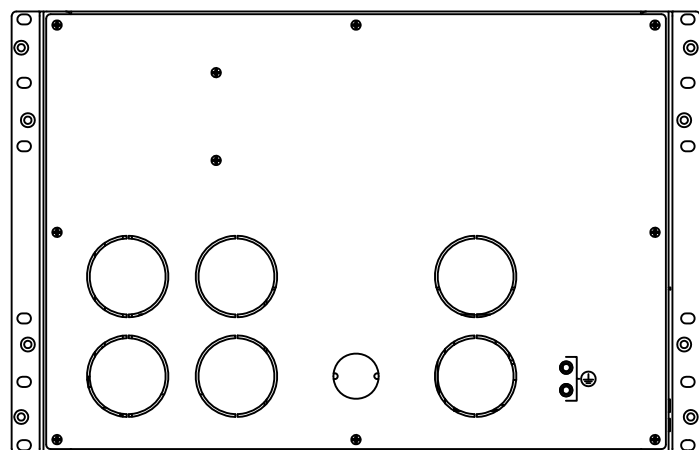
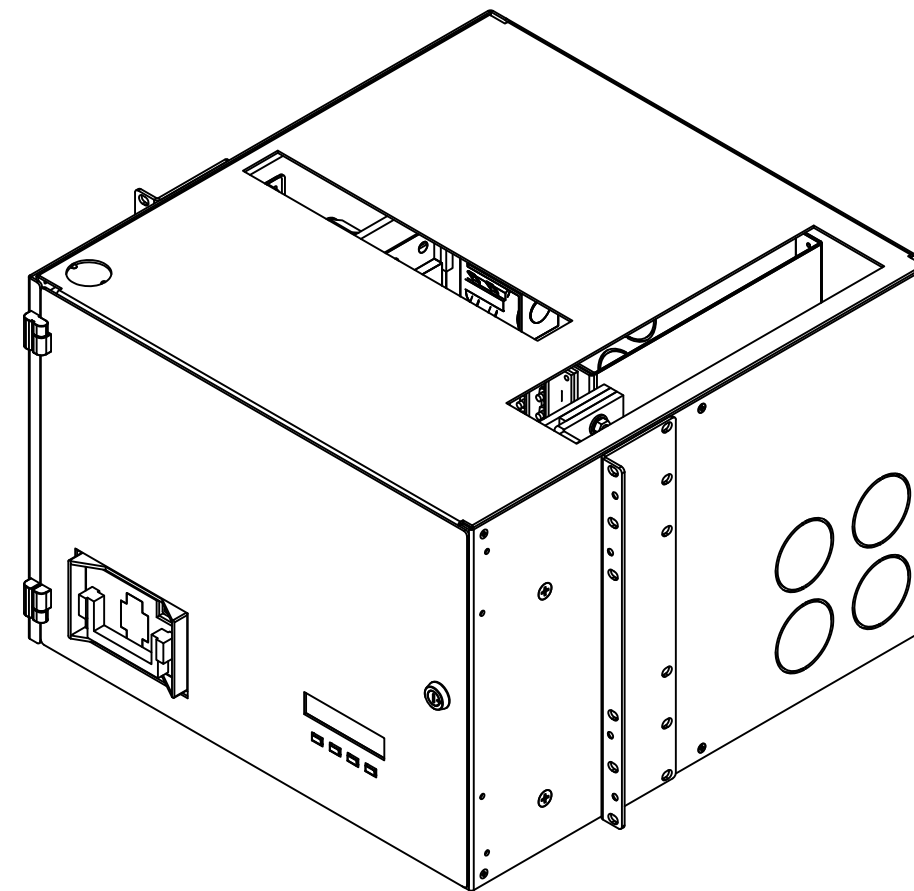
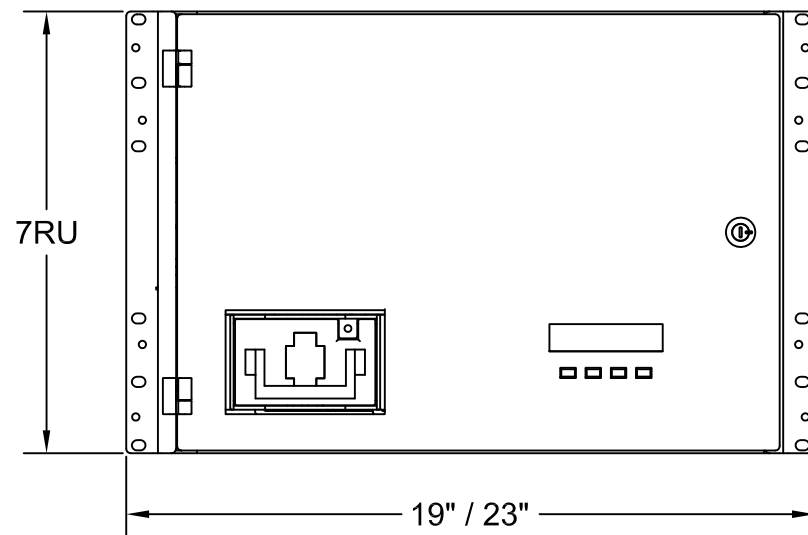


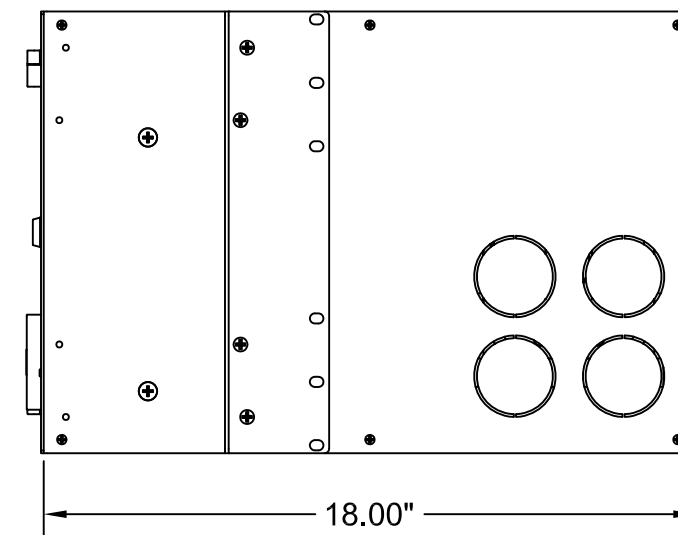
TOP VIEW



REAR VIEW




FRONT VIEW



RIGHT SIDE VIEW

| | | | |
|---|-------------|----------|------|
| FA15 | | | |
| FRONT ACCESS TELECOM POWER DISTRIBUTION PANEL | | | |
| -- | | | |
| DIMENSIONS ARE IN INCHES | | INITIALS | DATE |
| TOLERANCES: | | DRAWN | JRL |
| DECIMALS: .XX ±.13 | ANGLES: ±1° | CHECKED | CH |
| MATERIAL: -- | | 03/10/09 | |
| FINISH: -- | | 03/10/09 | |
| CAD GENERATED DRAWING DO NOT MANUALLY UPDATE | | | |
| SCALE: NTS | SHEET | REV | 1 |
| A | | 1 | |
| SHEET 1 OF 1 | | | |


C&C POWER, INC.
 949 N. Larch Ave.
 Elmhurst, IL 60126
 © 2009 C&C POWER, INC.
 ALL RIGHTS RESERVED

DRAWING # 9024-LS001 REV 1