

REAR VIEW

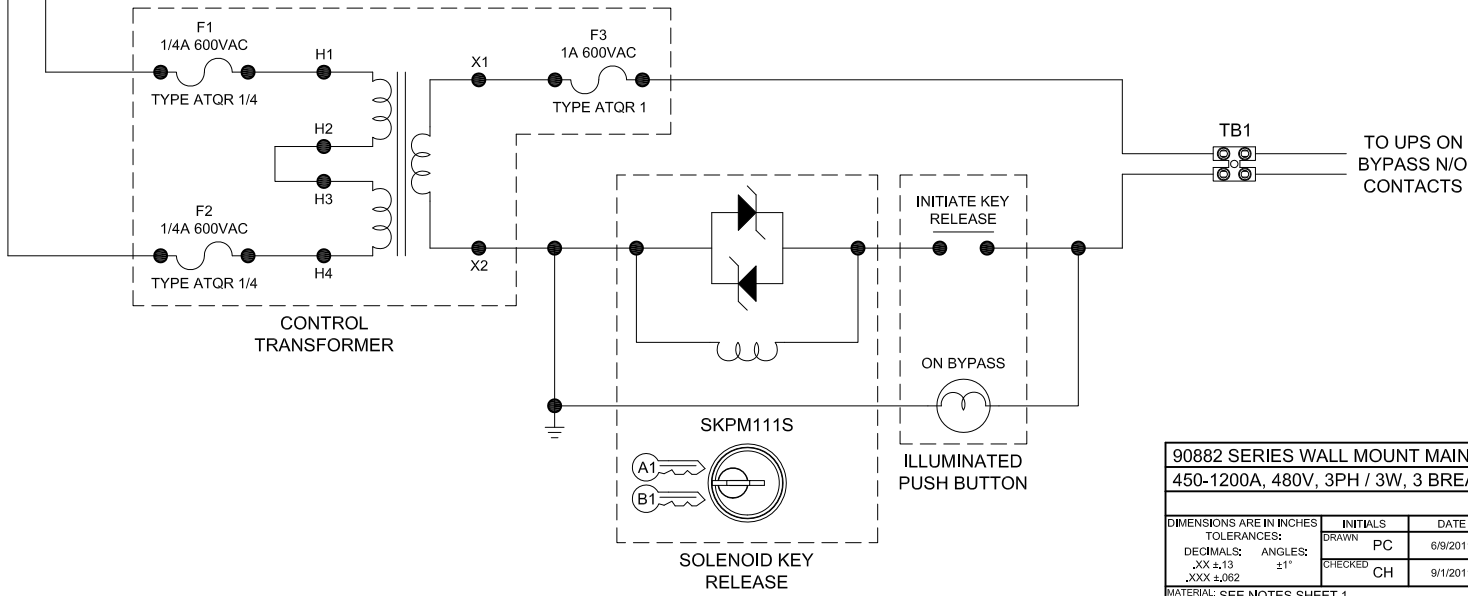
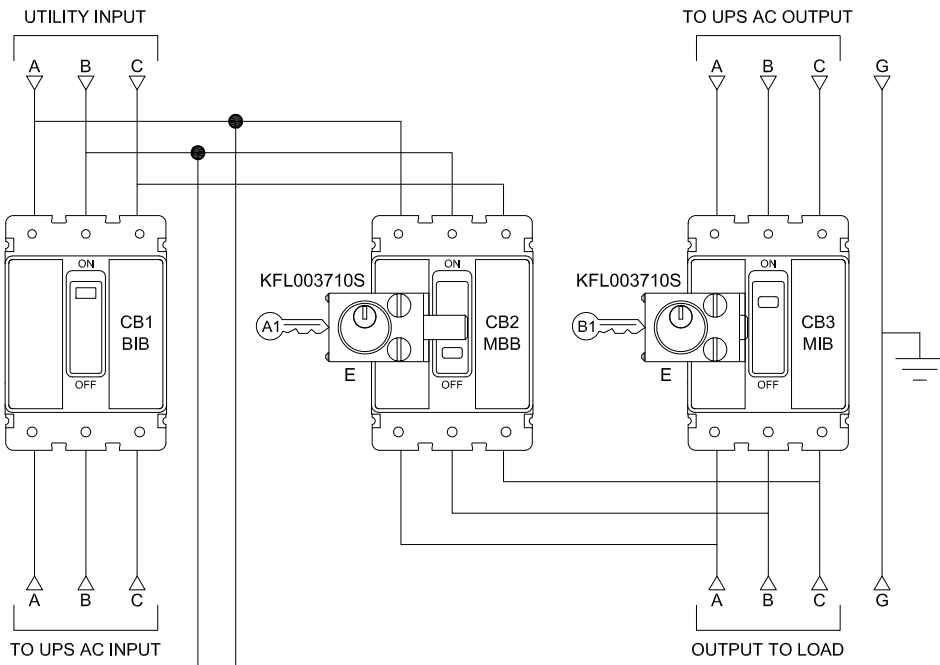
FRONT VIEW

RIGHT SIDE VIEW

- NOTES:**  
 APPROXIMATE WEIGHT: 350 LBS.
1. NEMA 1 WALL MOUNT ENCLOSURE.
  2. THE BOX AND TRIM ARE CONSTRUCTED OF GALVANIZED STEEL.
  3. THE TRIM FINISH IS POWDER COATED ON ALL EXTERNAL AND VISIBLE SURFACES, BOX AND ALL INTERNAL MOUNT BRACKETS ARE GALVANIZED FINISH.
  4. THE CABINET IS TO BE MOUNTED THROUGH Ø0.531" HOLES IN THE BACK OF THE ENCLOSURE.

90882 SERIES WALL MOUNT MAINTENANCE BYPASS CABINET			THE INFORMATION CONTAINED IN THIS DRAWING IS THE SOLE PROPERTY OF C&C POWER, INC. ANY REPRODUCTION WITHOUT THE WRITTEN CONSENT OF C&C POWER, INC IS PROHIBITED.
450-1200A, 480V, 3PH / 3W, 3 BREAKER, CONFIGURATION 6			
DIMENSIONS ARE IN INCHES	INITIALS	DATE	<b>C&amp;C POWER</b> <b>ENGINEERED POWER PRODUCTS</b> 949 N. Larch Ave. - Elmhurst, IL 60126 © 2011 C&C POWER, INC. ALL RIGHTS RESERVED
TOLERANCES:	DRAWN PC	6/9/2011	
DECIMALS: .XX ±.13 .XXX ±.062	ANGLES: ±1° CHECKED CH	9/1/2011	
MATERIAL: SEE NOTES			<b>CAD GENERATED DRAWING</b> <b>DO NOT MANUALLY UPDATE</b>
FINISH: SEE NOTES			
SCALE: NTS	SIZE: A	REV: 1	SHEET 1 OF 2

DRAWING # 90882-C&C-SD01-1-REV 1



**CIRCUIT BREAKER SUMMARY**

BREAKER TYPE	BREAKER FRAME	BREAKER MODEL	TRIP	AIC	WIRE RANGE	
CUTLER HAMMER SERIES C	L FRAME	LDB3450	450A	35K @ 480VAC	(2) 4 - 4/0	
		LDB3500	500A	35K @ 480VAC	(2) 3/0 - 350	
		LDB3600	600A	35K @ 480VAC	(2) 400 - 500	
		HLD3450	450A	65K @ 480VAC	(2) 4 - 4/0	
		HLD3500	500A	65K @ 480VAC	(2) 3/0 - 350	
		HLD3600	600A	65K @ 480VAC	(2) 400 - 500	
	M FRAME	MDL3700	700A	50K @ 480VAC	(2) 1 - 500	
		MDL3800	800A	50K @ 480VAC	(3) 3/0 - 400	
		HMDL3700	700A	65K @ 480VAC	(2) 1 - 500	
		HMDL3800	800A	65K @ 480VAC	(3) 3/0 - 400	
		N FRAME	ND312T33	1000A	50K @ 480VAC	(3) 3/0 - 400
			ND312T33	1200A	50K @ 480VAC	(4) 4/0 - 500
HND312T33	1000A		65K @ 480VAC	(3) 3/0 - 400		
HND312T33	1200A		65K @ 480VAC	(4) 4/0 - 500		

- NOTES:
- "BIB" BYPASS INPUT BREAKER
  - "MBB" MAINTENANCE BYPASS BREAKER
  - "MIB" MAINTENANCE ISOLATION BREAKER
  - BREAKERS ARE SHOWN IN NORMAL OPERATING CONDITION.
  - GROUND LUG ACCEPTS (3) #6 - 350 MCM CABLES.
  - THIS DRAWING IS TO BE USED FOR ELECTRICAL PURPOSES ONLY AND DOES NOT REPRESENT THE ACTUAL MECHANICAL LAYOUT OF THE EQUIPMENT.

- KIRK KEY NOTES:
- THE "E" OR "W" NEXT TO THE INTERLOCK INDICATES THE POSITION OF THE INTERLOCK BOLT WHEN THE KEY IS REMOVABLE. "E" = EXTENDED AND "W" = WITHDRAWN.
  - THE KEY OR KEYS NEXT TO THE INTERLOCK INDICATES THE KEY NUMBER THAT FUNCTIONS WITH THE INTERLOCK.

90882 SERIES WALL MOUNT MAINTENANCE BYPASS CABINET			
450-1200A, 480V, 3PH / 3W, 3 BREAKER, CONFIGURATION 6			
DIMENSIONS ARE IN INCHES	INITIALS	DATE	THE INFORMATION CONTAINED IN THIS DRAWING IS THE SOLE PROPERTY OF C&C POWER, INC. ANY REPRODUCTION WITHOUT THE WRITTEN CONSENT OF C&C POWER, INC IS PROHIBITED.
TOLERANCES:	DRAWN	PC	
DECIMALS: .XX ±.13	ANGLES:	±1"	
.XXX ±.062	CHECKED	CH	9/12/2011
MATERIAL: SEE NOTES SHEET 1			
FINISH: SEE NOTES SHEET 1			
CAD GENERATED DRAWING DO NOT MANUALLY UPDATE			
SCALE: NTS	SIZE: A	REV: 1	SHEET 2 OF 2

**C&C POWER**  
ENGINEERED POWER PRODUCTS  
949 N. Larch Ave. - Elmhurst, IL 60126  
© 2011 C&C POWER, INC.  
ALL RIGHTS RESERVED

DRAWING # 90882-C&C-SD01-2 REV 1