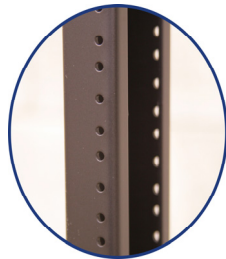


# Relay Racks

## System Components



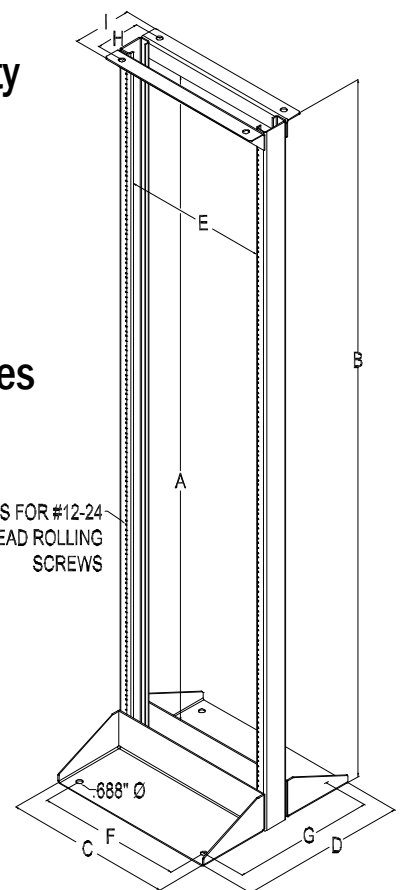
- 19" and 23" rack configurations
- All steel construction
- Double return uprights provide extra strength
- Zone 4 approved
- Black powder coat finish



Double return uprights ensure maximum strength and durability for your system.



Top and bottom steel weldment provides added support and stability.



Standard Relay Rack Configurations

Model#	Size	Dimensions (in.)									Weight (lbs)
		A	B	C	D	E	F	G	H	I	
94284	19"	77 (44RU)	84	20.3	20.0	17.6	17.3	17.0	5.3	7.0	66
94784	23"	77 (44RU)	84	24.3	20.0	21.6	21.3	17.0	5.3	7.0	70

715-00053 R01