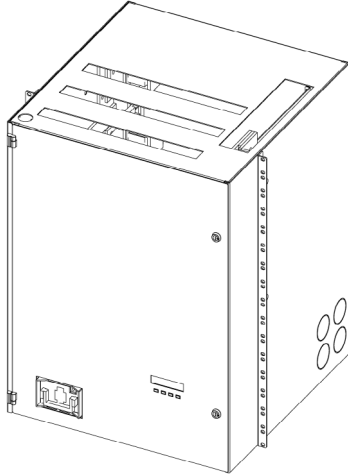


FA60

Telecom Power Distribution Panel



- Fully enclosed front access design
- Commander Plus Series Controller
- SNMP & Web based communication & control
- Automatic temperature compensation
- Low voltage load disconnect
- Dynamic battery string testing with alarm
- Quick-Change circuit breaker design
- 16RU 23" rack mount

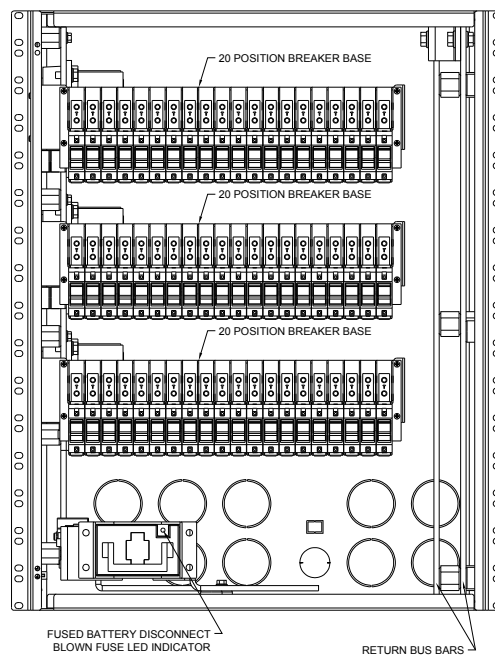
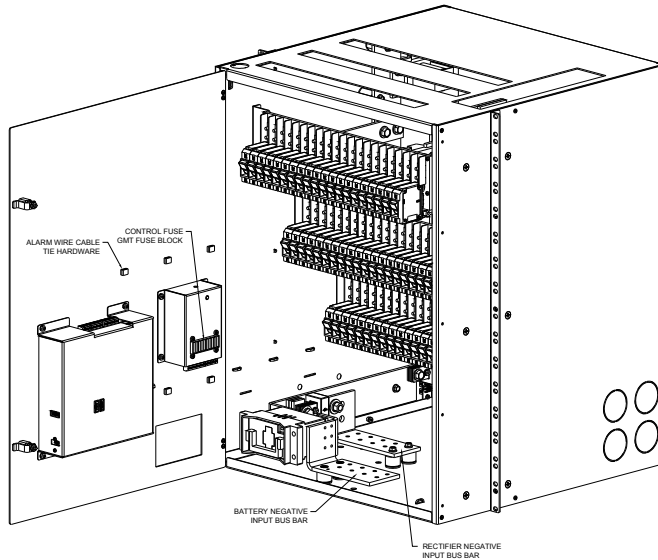
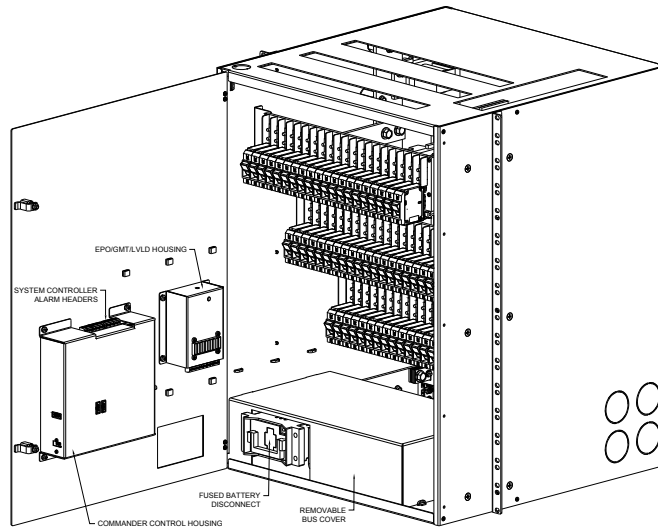
C&C Power's FA60 is a sixty circuit front access telecom power distribution system. The FA60 can accommodate up to sixty quick-change circuit breakers ranging from 1 amp to 100 amps per position. System capacities are available from 600 to 1200 amps and are available in single or split bus configurations with multiple low voltage load disconnect options.

The Commander Plus Series Controller utilizes a four button keypad to navigate the intuitive menus which are displayed on the easy to read alpha numeric vacuum fluorescent display. The Commander Plus Series Controller includes SNMP communication and a web based interface to access system status and adjust system settings. The system provides automatic adjustment of rectifier output voltage when ambient temperature increases or decreases in order to optimize battery life and performance.

Other standard features include a fused main battery disconnect which isolates the attached battery strings for added safety and protection as well as offering an easy means of disconnect for battery maintenance. An EPO (emergency power off) circuit also allows for remote emergency shutdown of the system. Each system is listed to UL Standards and is CSA certified.

FA60 Dimensions: 23" W x 16RU H x 22" D

FA60 Features



715-00014 R02